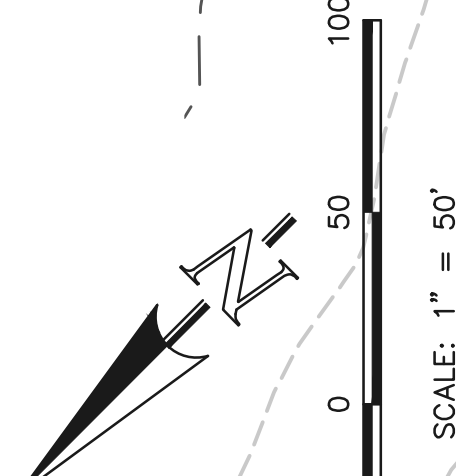
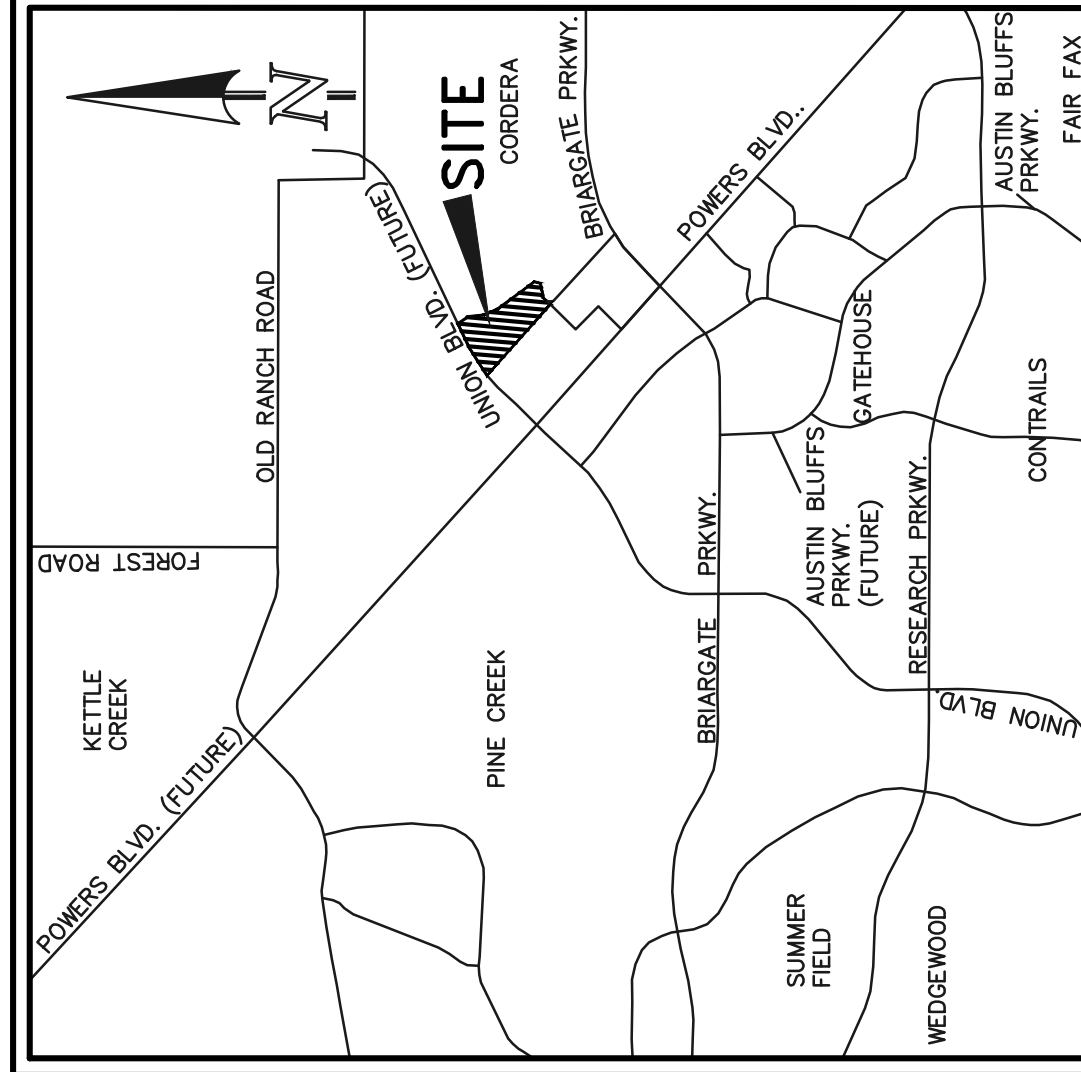


WATERMARK AT BRIARGATE CONCEPT PLAN

(LOT 3, BRIARGATE CROSSING EAST SUB. FIL. NO. 1)



DESCRIPTION	SYMBOL
PROPOSED FIRE HYDRANT	
PROPOSED WATER MAIN	
PROPOSED WATER SERVICES	
PROPOSED SANITARY SEWER MAIN	
PROPOSED SANITARY SEWER SERVICE	
PROPOSED STORM SEWER	
PROPOSED STORM INLET	
EXISTING STORM SEWER	
EXISTING STORM INLET	
EXISTING FIRE HYDRANT	
EXISTING WATER MAIN	
EXISTING SANITARY SEWER MAIN W/ MANHOLE	
BOUNDARY LINE	
FIRE LANE - CURB STRIPING	
EXISTING GROUND CONTOUR	
PROPOSED FINISHED GRADE CONTOUR	
CONCEPT PLAN BOUNDARY	

LEGAL DESCRIPTION

LOT 3, BRIARGATE CROSSING EAST SUBDIVISION FILING NO. 1
CONTAINING A CALCULATED AREA OF 11.06 ACRES.

SITE DATA:

APPLICANT:
CLASSIC CONSULTING ENGINEERS & SURVEYORS
1500 W. WYOMING ST., SUITE 200
COLORADO SPRINGS, COLORADO 80909
MR. KYLE CAMPBELL P.E. (719) 785-0790

OWNER/DEVELOPER:

CONTINENTAL 140 FUND LLC
W154 N8675 EXECUTIVE PKWY
MENOMONEE FALLS, WI 53091
MR. ERIK HAHN (262)532-9323

TAX SCHEDULE NO.:

62264-02-003
9915 N. UNION BLVD
11.06 ACRES

EXISTING ZONING:

PBC

PROPOSED ZONING:

OC

EXISTING USE:

UNDEVELOPED

PROPOSED USE:

MULTI-FAMILY RESIDENTIAL

MASTER PLAN:

BRIARGATE

MAXIMUM BUILDING HEIGHT ALLOWED:

45' (ALSO SEE NOTE 4 BELOW)

MAXIMUM BUILDING LOT COVERAGE:

40%

PROPOSED UNIT TOTAL:

243

PROPOSED DENSITY:

22 DU/AC

BUILDING SETBACKS & LANDSCAPE BUFFERS:

ALONG UNION BLVD:

ALONG CONTINENTAL HEIGHTS:

25' MINIMUM

PROMINENT POINT

NAUTILUS POINT

PARKING REQUIREMENTS:

PARKING SHALL ADHERE TO CITY CODE 7.4.203.

GENERAL NOTES:

- FLOODPLAIN STATEMENT:
NO PORTION OF THE PROPOSED SITE IS WITHIN A 100-YEAR FLOODPLAIN AS DETERMINED BY THE FLOOD INSURANCE RATE MAP (F.I.R.M.) MAP NUMBER 08041C 0530F EFFECTIVE DATE, MARCH 17, 1997.
- NO DIRECT VEHICULAR ACCESS FROM SITE SHALL BE PERMITTED TO N. UNION BLVD.
- STORMWATER QUALITY AND DETENTION WILL BE PROVIDED FOR THIS SITE WITHIN DETENTION POND C LOCATED NORTHWEST OF UNION BLVD AND BRIARGATE PKWY.
- PER APPROVED ADMINISTRATIVE RELIEF, AR R16-00406, BUILDING 3 IS APPROVED AT A FINAL HEIGHT OF 51'-7" AS DEFINED BY CITY HEIGHT CALCULATION REQUIREMENTS.
- ALL PRIVATE STREETS SHALL BE IN CONFORMANCE WITH THE MUTCD GUIDELINES.
- PER "EASEMENT" NOTE ON RECORDED FINAL PLAN FOR BRIARGATE CROSSING EAST SUBDIVISION FILING NO. 1, "ALL EASEMENTS AND PRIVATE DRIVES ARE AS SHOWN... WITH THE SOLE RESPONSIBILITY FOR MAINTENANCE BEING VESTED IN THE INDIVIDUAL PROPERTY OWNERS."
- ALL LANDSCAPE, SIDEWALK AND OTHER IMPROVEMENTS SHALL BE COMMON AREA TO BE MAINTAINED BY THE BRIARGATE CROSSING COMMERCIAL OWNERS ASSOCIATION INC. PER NOTE 3 OF THE RECORDED FINAL PLAN FOR BRIARGATE CROSSING EAST SUBDIVISION FILING NO. 1.

CPC CP 16-00083

WATERMARK AT BRIARGATE
(LOT 3, BRIARGATE CROSSING EAST SUB. FIL. NO. 1)

CLASSIC CONSULTING ENGINEERS & SURVEYORS
1919 W. Cascade Avenue, Suite 200
Colorado Springs, Colorado 80903
(719) 785-0790
C.E. 010
C.E. 020
C.E. 030
C.E. 040
C.E. 050
C.E. 060
C.E. 070
C.E. 080
C.E. 090
C.E. 100
C.E. 110
C.E. 120
C.E. 130
C.E. 140
C.E. 150
C.E. 160
C.E. 170
C.E. 180
C.E. 190
C.E. 200
C.E. 210
C.E. 220
C.E. 230
C.E. 240
C.E. 250
C.E. 260
C.E. 270
C.E. 280
C.E. 290
C.E. 300
C.E. 310
C.E. 320
C.E. 330
C.E. 340
C.E. 350
C.E. 360
C.E. 370
C.E. 380
C.E. 390
C.E. 400
C.E. 410
C.E. 420
C.E. 430
C.E. 440
C.E. 450
C.E. 460
C.E. 470
C.E. 480
C.E. 490
C.E. 500
C.E. 510
C.E. 520
C.E. 530
C.E. 540
C.E. 550
C.E. 560
C.E. 570
C.E. 580
C.E. 590
C.E. 600
C.E. 610
C.E. 620
C.E. 630
C.E. 640
C.E. 650
C.E. 660
C.E. 670
C.E. 680
C.E. 690
C.E. 700
C.E. 710
C.E. 720
C.E. 730
C.E. 740
C.E. 750
C.E. 760
C.E. 770
C.E. 780
C.E. 790
C.E. 800
C.E. 810
C.E. 820
C.E. 830
C.E. 840
C.E. 850
C.E. 860
C.E. 870
C.E. 880
C.E. 890
C.E. 900
C.E. 910
C.E. 920
C.E. 930
C.E. 940
C.E. 950
C.E. 960
C.E. 970
C.E. 980
C.E. 990
C.E. 1000

DESIGNED BY	KRC	SCALE	DATE
05/23/16 <td></td> <td></td> <td></td>			
DRAWN BY	JRH	(H) 1" = 50'	SHEET 1 OF 1
CHECKED BY	(V) 1" = N/A	JOB NO.	2232-75

