

Providence® MicroCore™ – Large Housing PROL

TYPE

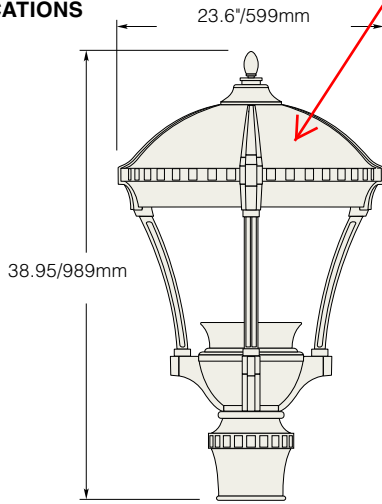
FEATURES

- Reliable, uniform, glare free illumination
- Types II, III, IV, V and custom distributions⁴
- 3000K, 4000K, 5000K CCT
- 0-10V dimming ready
- Integral surge suppression
- LifeShield™ thermal protection
- 13 standard powder coat finishes
- Upgrade Kits

led lamp recessed in housing

Limit of Lighting Projection

SPECIFICATIONS



- Diameter: 23.6" / 599 mm
- Height: 38.95" / 989 mm
- Weight: 47 lbs
- EPA: 1.33
- IP Rating: 65



3000K and warmer CCTs only



area talked about slight glow

all light is down

Type BB is same only smaller housing and shorter height

ORDERING INFORMATION

| MODEL | 1 | 2 | 3 | 4 | 5 | 6 | 7 |
|-------|--------------|-----|---------------|--------|---------|----------|----------|
| PROL | | | | | | | |
| | Light Engine | CCT | Drive Current | Finish | Options | Controls | Mounting |

1. LIGHT ENGINE

- T2-56LED Type II
- T3-56LED Type III
- T4-56LED Type IV
- T5-56LED Type V
- TL-56LED 45° Left output
- TR-56LED 45° Right output

2. COLOR TEMPERATURE

- 3K 3000K CCT, 70CRI
- 4K 4000K CCT, 70CRI
- 5K 5000K CCT, 70CRI

Additional CCT's and 560nm monochromatic amber available by request¹

3. DRIVE CURRENT

- 700 700mA, 132 watts
- 450 450mA, 85 watts

4. FINISH

Standard Color

- WH Arctic White
- BL Black
- BLT Matte Black
- DB Dark Bronze
- DGN Dark Green
- TT Titanium
- WDB Weathered Bronze
- MDB Bronze Metallic
- VBU Verde Blue
- CRT Corten

4. FINISH (CONT)

- MAL Matte Aluminum
- MG Medium Grey
- AGN Antique Green
- LG Light Grey

Premium Color

- SHK Shamrock
- SPP Salt and Pepper
- SFM Seafoam
- WCP Weathered Copper
- RAL RAL 4 digit Color
- CUSTOM Custom Color

5. OPTIONS (may choose as noted)

Finish

- SPK Decorative Spike
- BPS Struts painted brass
- PFN Finial painted brass

Optics may choose one

- LDL Lightly diffused lens.
- CLR Clear flat lens
- HSS House Side shield for Type 4

Accessories may choose one

- EPA-C Egress-Contemporary³
- EPA-T Egress-Traditional³

Mounting may choose one

- PT4 Post top fitter for a 4"/100mm pole
- PT23 Slips Over a 2 3/8" x 4" Tenon
- PT3 Slips Over a 3" x 4" Tenon

6. CONTROL

- PCA-C Rotatable photocell-Contemporary
- PCA-T Rotatable photocell-Traditional
- SCP Sensor Control Programmable^{1,2}

7. MOUNTING

Standard configuration slips over a 5" DIA open top pole or may choose one.

Wall Mount Arm

- WMA55 WMA56

Pole Mount Arm

- TRA55 SLA1
- TRA56 SLA1-2

Pier Mount

- PM1 PM2 PM3

NOTE:

¹ Pole accessory with motion sensor and daylight photo-control for California Title 24 section 130.2 compliance. For complete spec sheet and ordering information, visit www.aal.net/products/sensor_control_programmable/

² Handheld commissioning tool is required to separately configure or adjust any number of SCP sensors

³ Not compatible with PCA-C nor PCA-T

⁴ Consult factory



ARCHITECTURAL AREA LIGHTING
17760 Rowland Street | City of Industry | CA 91748
P 626.968.5666 | F 626.369.2695 | www.aal.net
Copyright © 2014 July 18, 2017 1:32 PM

| | |
|-------|-------|
| JOB | _____ |
| TYPE | _____ |
| NOTES | _____ |