

SITE NAME:
SW SPRINGS

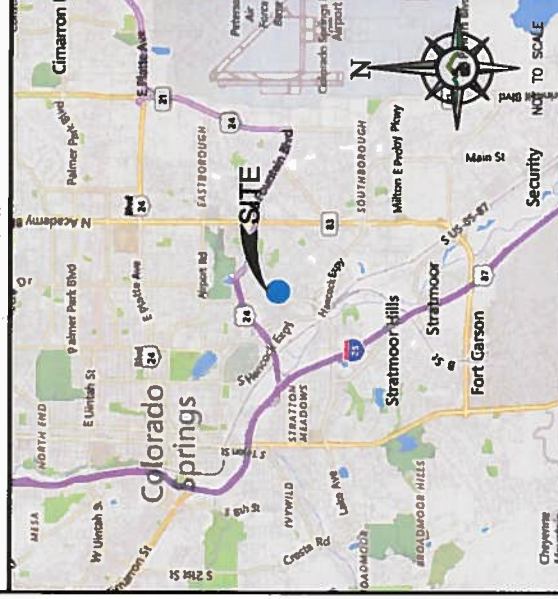
SITE NUMBER:
DN04163B

LOCATION:
2520 ARLINGTON DR. COLORADO SPRINGS, CO 80910
60'-0" BELL TOWER
CONSTRUCTION DRAWINGS

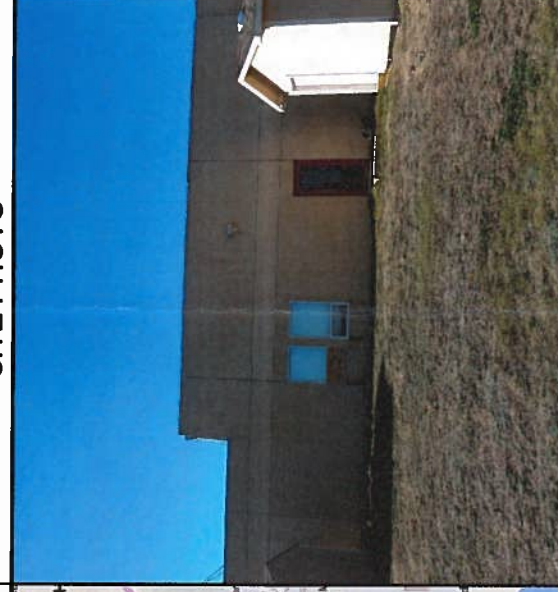
SITE INFORMATION	
TOWER OWNER:	T-MOBILE WEST LLC 2323 DELGANY ST. DENVER, CO 80216
SITE ADDRESS:	2520 ARLINGTON DR. COLORADO SPRINGS, CO 80910
COUNTY:	EL PASO
LATITUDE:	38.808950 N
LONGITUDE:	104.777981 W
GROUND ELEVATION:	6029' AMSL
OCCUPANCY TYPE:	UNMANNED
ZONING JURISDICTION:	CITY OF COLORADO SPRINGS
ZONING:	R-1 6000/CU
PARCEL NUMBER:	6428103028
POWER PROVIDER:	TBD
TELCO PROVIDER:	TBD

CONTACT INFORMATION	
ENGINEERING:	POWDER RIVER DEVELOPMENT SERVICES, LLC. 219 S. WOODDALE AVE. EAGLE, ID 83616
PHONE:	(208) 602-6469
EMAIL:	don.george@powderriverdev.com
APPLICANT:	T-MOBILE WEST LLC 2323 DELGANY STREET DENVER, CO 80216
CONTACT:	DENISE FULLER PHONE: (303) 257-0659 EMAIL: denise.fuller@t-mobile.com

VICINITY MAP



SITE PHOTO



DRIVING DIRECTIONS

FROM T-MOBILE OFFICE (2323 DELGANY ST., DENVER, CO 80216):
DEPART DELGANY ST & TURN RIGHT ONTO PARK AVE W. BEAR RIGHT ONTO FOX ST. TAKE RAMP FOR I-25 S/US-87 S. TAKE RAMP RIGHT & TURN LEFT ONTO S CIRCLE DR/LAKE AVE. TURN RIGHT ONTO ARLINGTON DR. TURN LEFT INTO CHURCH PARKING LOT IMMEDIATELY AFTER RAINIER DR. SITE WILL BE LOCATED IN THE EMPTY FIELD TO THE NORTHWEST OF THE CHURCH.

LEGAL DESCRIPTION

LOT 2 IN CATALINA SUBDIVISION, A REPLAT OF LOTS 12 AND 13, BLOCK 1 STRATMOOR HILLS ADDITION NO.4, AS RECORDED IN BOOK S-3 AT PAGE 40 IN THE RECORDS OF EL PASO COUNTY, COLORADO, AND BEING THE SAME PROPERTY CONVEYED TO THE STRATMOOR HILLS WATER DISTRICT FROM THE CRESTMARK CORPORATION, A COLORADO CORPORATION BY WARRANTY DEED DATED JANUARY 10, 1983 AND RECORDED JANUARY 10, 1983 IN DEED BOOK 3658, PAGE 684.

DO NOT SCALE DRAWINGS

CONTRACTOR SHALL VERIFY ALL PLANS & EXISTING DIMENSIONS & CONDITIONS ON THE JOB SITE & SHALL IMMEDIATELY NOTIFY THE ENGINEER IN WRITING OF ANY DISCREPANCIES BEFORE PROCEEDING WITH THE WORK OR BE RESPONSIBLE FOR SAME

DRAWING INDEX		
SHEET NO.	DESCRIPTION	REV
T-1	TITLE SHEET	B
GN-1	GENERAL NOTES	B
GN-2	GENERAL NOTES	B
LS-1	TOPOGRAPHIC SURVEY	B
C-1	OVERALL SITE PLAN	B
C-2	EXISTING SITE PLAN	B
C-3	PROPOSED SITE PLAN	B
C-4	PROPOSED EQUIPMENT PLAN	B
C-5	TOWER ELEVATIONS	B
C-6	TOWER ELEVATIONS	B
C-7	TOWER ELEVATIONS	B
C-8	TOWER ELEVATIONS	B
C-9	PHOTOSIMS	B
C-10	PROPOSED ANTENNA PLAN	B
C-11	RFDS DATA CONFIGURATION SHEET	B
C-12	RFDS DATA CONFIGURATION SHEET	B
C-13	ANTENNA & HYBRID CABLE SCHEDULE	B
C-14	HYBRID CABLE DETAILS	B
C-15	HYBRID CABLE DETAILS	B
S-1	EQUIPMENT DETAILS	B
S-2	ANTENNA MOUNT DETAILS	B
S-3	EQUIPMENT DETAILS	B
S-4	EQUIPMENT DETAILS	B
S-5	STRUCTURAL DETAILS	B
E-1	ELECTRICAL DETAILS	B
G-1	GROUNDING PLANS	B
G-2	GROUNDING DETAILS	B
G-3	GROUNDING DETAILS	B
G-4	GROUNDING DETAILS	B

SCOPE OF WORK

INSTALL (1) 12'-0"x10'-0" CONCRETE EQUIPMENT PAD W/ ASSOCIATED EQUIPMENT & (1) 60'-0" BELL TOWER W/ (9) 8' ANTENNAS (3) FRIG UNITS, (3) FRIB UNITS, (2) FXFC UNITS, (1) COMP UNIT & (1) HYBRID CABLE, ALL WITHIN A NEW 20'-0"x50'-0" COMPOUND SURROUNDED BY AN 8' CMU WALL.

APPLICABLE CODES

BUILDING CODE 2012 IBC
ELECTRICAL CODE 2014 NEC



LICENSE #:	N/A
REVISIONS	
REV	DESCRIPTION
	INT
B	06/13/16 ISSUED FOR REVIEW 90%
A	05/10/16 ISSUED FOR REVIEW 90%
	JE
	JE

THESE PLANS AND SPECIFICATIONS, AS INSTRUMENTS OF SERVICE, ARE PREPARED BY THE ENGINEER AND HIS FIRM AND ARE NOT TO BE USED FOR ANY OTHER PROJECTS FOR WHICH THEY ARE MADE WITHOUT THE WRITTEN CONSENT OF THE ENGINEER.

SITE INFORMATION

DN04163B
SW SPRINGS
2520 ARLINGTON DR.
COLORADO SPRINGS, CO
80910

SHEET TITLE:

TITLE SHEET

SHEET NUMBER:

T-1

CPC CM.1.16-00070



T-MOBILE WEST, LLC
2323 DELGANY STREET
DENVER, CO 80216



POWDER RIVER
Engineering Services, LLC
www.powderriverdev.com

LICENSE #:		REVISONS	
REV	DATE	DESCRIPTION	INT
B	06/13/16	ISSUED FOR REVIEW 90%	JE
A	05/10/16	ISSUED FOR REVIEW 90%	JE

THESE PLANS AND SPECIFICATIONS, AS INSTRUMENTS OF SERVICE, ARE THE PROPERTY OF POWDER RIVER DEVELOPMENT SERVICES, LLC. NO PART OF THESE PLANS OR SPECIFICATIONS SHALL BE REPRODUCED, COPIED, OR TRANSMITTED IN ANY FORM OR BY ANY MEANS, WITHOUT PRIOR WRITTEN CONSENT OF THE ENGINEER.

SITE INFORMATION

DN04163B
SW SPRINGS

2520 ARLINGTON DR.
COLORADO SPRINGS, CO
80910

SHEET TITLE:
GENERAL NOTES

SHEET NUMBER:
GN-1

CPC CM1 16-00070

GENERAL NOTES

1. THE CONTRACTOR'S SCOPE OF WORK SHALL INCLUDE ALL ITEMS DEFINED IN THE CONTRACT DOCUMENTS. THE CONTRACT DOCUMENTS INCLUDE, BUT ARE NOT LIMITED TO, THE FOLLOWING: THE CONTRACT, SPECIFICATIONS AND CONSTRUCTION DRAWINGS.

2. ALL EQUIPMENT SUPPLIED BY THE OWNER SHALL BE PICKED UP BY THE CONTRACTOR AT THE APPROPRIATE WAREHOUSE.

3. THE CONTRACTOR IS RESPONSIBLE FOR COORDINATING ALL WORK WHILE THE WORK IS BEING PERFORMED ON-SITE SUPERVISION AT ALL TIMES. THE CONTRACTOR SHALL PROVIDE ON-SITE SUPERVISION AT ALL TIMES. THE BEST PRACTICE OF THE TRADE SHALL BE SOLELY RESPONSIBLE TO SHALL PROTECT THE CONTRACTOR'S RESPONSIBILITY TO PROVIDE AND MAINTAIN THE PROJECT AND ALL PARTS OF THE WORK UNDER THE CONTRACT.

5. THE CONTRACTOR SHALL VISIT THE JOB SITE TO REVIEW THE SCOPE OF WORK AND EXISTING JOB SITE CONDITIONS INCLUDING, BUT NOT LIMITED TO, MECHANICAL, ELECTRICAL SERVICE AND OVERALL COORDINATION. THE CONTRACTOR SHALL VERIFY ALL EXISTING CONDITIONS AND DIMENSIONS PRIOR TO SUBMITTING HIS BID. ANY DISCREPANCIES, CONFLICTS OR OMISSIONS, ETC., SHALL BE REPORTED TO THE OWNER IMMEDIATELY UPON DISCOVERY. THE CONTRACTOR SHALL PROTECT ALL EXISTING UTILITIES WHICH MAY OCCUR DURING CONSTRUCTION. ANY DAMAGE TO NEW AND EXISTING CONSTRUCTION, STRUCTURE, LANDSCAPING OR EQUIPMENT SHALL BE IMMEDIATELY REPAIRED OR REPLACED TO THE SATISFACTION OF THE TENANT, BUILDING OWNER OR OWNER'S REPRESENTATIVE AT THE EXPENSE OF THE CONTRACTOR.

7. IT SHALL BE THE RESPONSIBILITY OF THE CONTRACTOR TO LOCATE ALL EXISTING UTILITIES, WHETHER SHOWN HEREON OR NOT, AND TO PROTECT THEM FROM DAMAGE. THE CONTRACTOR SHALL BEAR ALL EXPENSES FOR REPAIR OR REPLACEMENT OF UTILITIES OR OTHER PROPERTY DAMAGED IN CONJUNCTION WITH THE EXECUTION OF WORK.

8. THE CONTRACTOR SHALL BE RESPONSIBLE FOR THE COMPLETE SECURITY OF THE SITE WHILE THE JOB IS IN PROGRESS AND UNTIL THE JOB IS COMPLETED.

9. THE CONTRACTOR SHALL PROVIDE WATER, POWER AND TOILET FACILITIES AS REQUIRED BY THE CITY OR GOVERNING AGENCY.

10. THE CONTRACTOR AND ALL SUBORDINATE CONTRACTORS SHALL COMPLETE ALL LOCAL AND STATE REGULATIONS.

11. THE CONTRACTOR SHALL OBTAIN ALL NECESSARY PERMITS, LICENSES AND INSPECTIONS NECESSARY FOR PERFORMANCE OF THE WORK AND INCLUDE THOSE IN THE COST OF THE WORK TO T-MOBILE.

12. FIGURED DIMENSIONS HAVE PRECEDENCE OVER DRAWING SCALE, AND DETAIL DRAWINGS HAVE PRECEDENCE OVER SMALL DRAWINGS. CHECK ACCURACY OF ALL DIMENSIONS IN THE FIELD, UNLESS SPECIFICALLY NOTED. DO NOT FABRICATE ANY MATERIALS OFF SITE, NOR DO ANY CONSTRUCTION UNTIL THE ACCURACY OF DRAWING DIMENSIONS HAVE BEEN VERIFIED AGAINST ACTUAL FIELD DIMENSIONS.

13. THE CONTRACTOR SHALL NOTIFY THE T-MOBILE CONSTRUCTION SUPERVISOR OF ALL CHANGES OR DISCREPANCIES IN THE CONTRACT DOCUMENTS OR FIELD CONDITIONS PRIOR TO EXECUTING THE WORK IN QUESTION.

14. THE CONTRACTOR SHALL NOTIFY THE T-MOBILE CONSTRUCTION SUPERVISOR IF DETAILS ARE CONSIDERED UNSOUND, UNSAFE, NOT WATERPROOF, OR NOT WITHIN CUSTOMARY TRADE PRACTICE. IF WORK IS PERFORMED, IT WILL BE ASSUMED THAT THERE IS NO OBJECTION TO THE DETAIL. DETAILS ARE INTENDED TO SHOW THE END RESULT OF THE DESIGN. MINOR MODIFICATIONS MAY BE REQUIRED TO SUIT JOB CONDITIONS.

15. EXISTING ELEVATIONS AND CONDITIONS TO BE JOINED SHALL BE VERIFIED BY THE CONTRACTOR BEFORE CONSTRUCTION. IF THEY DIFFER FROM THOSE SHOWN ON THE PLANS, THE CONTRACTOR SHALL NOTIFY THE T-MOBILE CONSTRUCTION SUPERVISOR SO THAT MODIFICATIONS CAN BE MADE BEFORE PROCEEDING WITH THE WORK.

16. ALL SYMBOLS AND ABBREVIATIONS USED ON THE DRAWINGS ARE CONSIDERED CONSTRUCTION STANDARDS. IF THE CONTRACTOR HAS QUESTIONS REGARDING THEIR EXACT MEANING, THE T-MOBILE CONSTRUCTION SUPERVISOR SHALL BE NOTIFIED FOR CLARIFICATION BEFORE PROCEEDING WITH THE WORK.

17. THE CONTRACTOR SHALL PROVIDE ALL NECESSARY BLOCKING, BACKING, FRAMING, HANGERS OR OTHER SUPPORT FOR ALL OTHER ITEMS REQUIRING THE SAME.

18. CITY APPROVED PLANS SHALL BE KEPT IN A PLAN BOX AND SHALL NOT BE USED BY WORKMEN. ALL CONSTRUCTION SETS SHALL REFLECT SAME INFORMATION. AT ALL TIMES THESE ARE TO BE UNDER THE CARE OF THE JOB SUPERINTENDENT.

19. DESIGN DRAWINGS ARE DIAGRAMMATIC ONLY AND SHALL BE CONSIDERED UNRELIABLE. ANY CONDITIONS WILL BE CORRECTED BY THE CONTRACTOR. ANY DESIGN DISCREPANCIES WILL BE BROUGHT TO THE ATTENTION OF THE T-MOBILE CONSTRUCTION SUPERVISOR FOR CLARIFICATION OR CORRECTION BEFORE CONSTRUCTION.

20. AS-BUILTS REQUIREMENTS: DO NOT USE RECORD DOCUMENTS FOR CONSTRUCTION PURPOSES. PROTECT RECORD DOCUMENTS FROM DETERIORATION AND LOSS IN A SECURE, FIRE-RESISTANT LOCATION. PROVIDE ACCESS TO RECORD DOCUMENTS FOR THE T-MOBILE CONSTRUCTION SUPERVISOR'S REFERENCE DURING NORMAL WORKING HOURS.

21. ALL CONSTRUCTION MARKING SHALL BE DONE WITH RED INK. THE PRINTS OF ORIGINAL DRAWINGS SHALL BE KEPT ON THE JOB SITE TO SHOW THE ACTUAL INSTALLATION WHERE THE INSTALLATION VARIES SUBSTANTIALLY FROM THE WORK AS ORIGINALLY SHOWN. MARK WHICH DRAWINGS IS MOST CAPABLE OF SHOWING CONDITIONS FULLY AND ACCURATELY. WHERE SHOP DRAWINGS ARE USED, RECORD A CROSS-REFERENCE AT THE CORRESPONDING LOCATION ON THE CONTRACT DRAWINGS. GIVE PARTICULAR ATTENTION TO CONCEALED ELEMENTS THAT WOULD BE DIFFICULT TO MEASURE AND RECORD AT A LATER DATE. MARK RECORD SETS WITH RED FRAGILE PENCIL. USE OTHER COLORS TO IDENTIFY WORK WITH REFERENCE TO THE SPECIFICATIONS. THE CONTRACTOR SHALL MARK NEW INFORMATION THAT IS IMPORTANT TO THE OWNER BUT WAS NOT SHOWN ON THE CONTRACT DRAWINGS, DETAILS OR SHOP DRAWINGS. NOTE RELATED CHANGE ORDER NUMBERS WHERE APPLICABLE. NOTE RELATED RECORD DRAWING INFORMATION AND PRODUCT DATA. UPON COMPLETION OF THE WORK, SUBMIT ONE (1) COMPLETE SET OF RECORD DOCUMENTS TO THE T-MOBILE CONSTRUCTION SUPERVISOR FOR THE OWNER'S RECORDS.

GENERAL NOTES

SCALE: 1" = 10'-0"

NTS

1

3.2. TRENCH EXCAVATION

A. UTILITY TRENCHES SHALL BE EXCAVATED TO THE LINES AND GRADES SHOWN ON THE DRAWINGS OR AS DIRECTED BY THE T-MOBILE CONSTRUCTION SUPERVISOR. PROVIDE SHORING, SHEETING AND BRACING AS REQUIRED TO PREVENT CAVING OR SLOUGHING OF THE TRENCH WALLS.

B. TRENCH WIDTH SHALL BE A MINIMUM OF 6 INCHES BEYOND EACH OUTSIDE EDGE OF THE CONDUIT OR OUTERMOST CONDUIT. UNLESS OTHERWISE SPECIFIED, THE TRENCH SHALL BE EXCAVATED TO A DEPTH OF NO LESS THAN 12 INCHES BELOW THE REQUIRED ELEVATION, OVER-EXCAVATE THE TRENCH TO A DEPTH OF NO LESS THAN 12 INCHES BELOW THE REQUIRED ELEVATION AND BACKFILL WITH GRANULAR BEDDING MATERIAL.

C. PROVIDE GRANULAR BEDDING MATERIAL IN ACCORDANCE WITH THE SPECIFICATIONS, DRAWINGS AND THE UTILITY REQUIREMENTS.

D. NOTIFY THE T-MOBILE CONSTRUCTION SUPERVISOR 24 HOURS IN ADVANCE OF BACK FILLING.

E. CONDUIT UTILITY CHECK TESTS BEFORE BACK FILLING BACK FILL AND COMPACT TO THE REQUIRED DENSITY. UNLESS OTHERWISE SPECIFIED, UNIFORMLY ON BOTH SIDES OF THE CONDUITS, IN PLACE GRANULAR TRENCH BACKFILL SHALL BE UNIFORMLY ON BOTH SIDES OF THE CONDUITS, UNTIL 12 INCHES OVER THE CONDUITS, SOUDLY RAM AND TAMP 6-INCH UNCOMPACTED LIFTS UNTIL 12 INCHES OVER THE CONDUITS.

F. WHEN SOFT, YIELDING OR OTHERWISE UNSTABLE SOIL CONDITIONS ARE ENCOUNTERED AT THE REQUIRED TRENCH BOTTOM ELEVATION, OVER-EXCAVATE THE TRENCH TO A DEPTH OF NO LESS THAN 12 INCHES BELOW THE REQUIRED ELEVATION, OVER-EXCAVATE THE TRENCH TO A DEPTH OF NO LESS THAN 12 INCHES BELOW THE REQUIRED ELEVATION AND BACKFILL WITH GRANULAR BEDDING MATERIAL.

G. COMPACT FINAL TRENCH BACKFILL TO A DENSITY EQUAL TO OR GREATER THAN THAT OF THE EXISTING UNDISTURBED MATERIAL IMMEDIATELY ADJACENT TO THE TRENCH BUT NO LESS THAN A MINIMUM OF 95% OF THE MAXIMUM DRY DENSITY AS PROVIDED BY THE MODIFIED PROCTOR TEST, ASTM D1557

2.2 SECURITY FENCE

A. PROVIDE AND INSTALL THE GALVANIZED FENCE WITH ASSOCIATED POSTS, RAILS, BRACES, FABRIC, TERMINAL POST, GATES, DROP BAR AND FABRIC SHALL BE GALVANIZED STEEL WITH PROVISIONS OF ASTM FOR MATERIALS.

B. FABRIC SHALL BE 42 INCH HIGH GALVANIZED STEEL WITH 2 INCH GAUGE WIRE, 0.148 INCHES IN DIAMETER) WITH THE TOP AND BOTTOM SELVAGES TWISTED AND BARBED.

C. POSTS

1. LINE POST FOR FABRIC UP TO 8 FEET HIGH SHALL BE 2 7/8 INCH O.D.

2. END CORNER, PULL POST AND GATE POST SHALL BE 2 7/8 INCH O.D.

D. ALL POSTS SHALL BE SCHEDULE 40 GALVANIZED STEEL PIPE IN ACCORDANCE WITH ASTM A112, A570 AND A525. FOR FENCE OVER 8 FEET HIGH, SIZE POST ACCORDING TO MANUFACTURER'S RECOMMENDATIONS.

E. GALVANIZED STEEL PIPE SHALL BE 7 GAUGE U.S. STEEL WIRE GALVANIZED IN ACCORDANCE WITH ASTM A116. COATING CLASS III.

F. BRACE BANDS, TENSION BANDS AND TENSION BARS SHALL BE FABRICATED OF 1/8 INCH BY 7/8 INCH GALVANIZED STEEL WITH GALVANIZED STEEL CARRIAGE BOLTS AND NUTS IN ACCORDANCE WITH ASTM A123. TENSION BARS SHALL BE 1/4 INCH BY 3/4 INCH GALVANIZED STEEL BAR IN ACCORDANCE WITH ASTM A153.

G. FABRIC TIES SHALL BE CLASS 1 GALVANIZED STEEL WIRE NO LESS THAN 9 GAUGE.

H. POST TOPS SHALL BE PRESSED STEEL OR IMALLEABLE IRON AND SHALL BE GALVANIZED PER ASTM A151.

I. BARBED WIRE SHALL CONSIST OF DOUBLE STRANDED 12 1/2 GAUGE WIRE ASTM A121, CLASS 3 WITH 4-POINT BARBS SPACED 5 INCHES APART. THE TOP 1 FOOT OF THE FENCE SHALL CONSIST OF 3 STRANDS OF BARBED WIRE ATTACHED TO 45 DEGREE ANGLE, HEAVY-PRESSED ARMS CAPABLE OF WITHSTANDING WITHOUT FAILURE 250 POUNDS DOWNWARD PULL AT THE OUTERMOST END OF THE ARM.

J. GATE MATERIALS, SUCH AS FABRIC, BOLTS, NUTS, TENSION BARS AND BARBED WIRE SHALL BE CONSISTENT WITH FENCE MATERIALS.

3.1 GENERAL EXECUTION

A. BEFORE STARTING GENERAL SITE PREPARATION ACTIVITIES, INSTALL EROSION AND SEDIMENT CONTROL MEASURES. THE WORK AREA SHALL BE CONSTRUCTED AND MAINTAINED IN SUCH CONDITION THAT IN THE EVENT OF RAIN THE SITE WILL BE WELL DRAINED AT ALL TIMES.

B. PERFORM ALL SURVEY, LAYOUT, STAKING AND MARKING TO ESTABLISH AND MAINTAIN ALL LINES, GRADES, ELEVATIONS AND BENCHMARKS NEEDED FOR EXECUTION OF THE WORK.

PART 1: GENERAL

1.1 INSPECTION AND TESTING

A. INSPECTION AND TESTING OF ALL WORK, INCLUDING BUT NOT LIMITED TO, COURSE CORNERING AND CONCRETE, SHALL BE PERFORMED BY THE CONTRACTOR'S INDEPENDENT TESTING LAB.

B. ALL WORK SHALL BE INSPECTED AND RELEASED BY THE T-MOBILE CONSTRUCTION SUPERVISOR WHO SHALL CARRY OUT THE GENERAL INSPECTION OF THE WORK WITH SPECIFIC CONCERN TO PROPER PERFORMANCE OF THE WORK AS SPECIFIED AND/OR CALLED FOR ON THE DRAWINGS. IT IS THE CONTRACTOR'S RESPONSIBILITY TO REQUEST THAT THE CONTRACTOR MAKE PARTS OF THE WORK INACCESSIBLE OR DIFFICULT TO INSPECT.

1.2. SITE MAINTENANCE AND PROTECTION

A. PROVIDE ALL NECESSARY JOB SITE MAINTENANCE FROM COMMENCEMENT OF THE WORK UNTIL COMPLETION OF THE CONTRACT.

B. PRIOR TO ANY EXCAVATING ACTIVITIES TO HAVE LOCATIONS OF EXISTING UTILITIES VERIFIED INCLUDING EXISTING FACILITIES, STRUCTURES, TREES AND SHRUBS DESIGNATED TO REMAIN. TAKE PROTECTIVE MEASURES TO PREVENT EXISTING FACILITIES THAT ARE NOT DESIGNATED FOR REMOVAL FROM BEING DAMAGED BY THE WORK.

C. KEEP SITE FREE OF ALL PONDING WATER.

D. PROVIDE EROSION CONTROL MEASURES IN ACCORDANCE WITH THE DEPARTMENT OF TRANSPORTATION CONSTRUCTION AND MATERIAL SPECIFICATIONS FOR THE CONSTRUCTION AND MAINTENANCE OF TEMPORARY BARRICADES, WARNING SIGNALS AND SIMILAR DEVICES NECESSARY TO PROTECT LIFE AND PROPERTY DURING THE ENTIRE PERIOD OF CONSTRUCTION. REMOVE ALL SUCH DEVICES UPON COMPLETION OF THE WORK.

PART II: PRODUCTS

2.1 SUITABLE BACK FILL: EXCAVATED INORGANIC MATERIAL, COHESIVE AND NON-COHESIVE MATERIALS, INCLUDING CLAY SAND AND INORGANIC LEAN CLAY, GRAVEL SILT, GRAVEL SAND, SILT AND CLAY SAND.

2.2 FIGURED DIMENSIONS HAVE PRECEDENCE OVER DRAWING SCALE, AND DETAIL DRAWINGS HAVE PRECEDENCE OVER SMALL DRAWINGS. CHECK ACCURACY OF ALL DIMENSIONS IN THE FIELD, UNLESS SPECIFICALLY NOTED. DO NOT FABRICATE ANY MATERIALS OFF SITE, NOR DO ANY CONSTRUCTION UNTIL THE ACCURACY OF DRAWING DIMENSIONS HAVE BEEN VERIFIED AGAINST ACTUAL FIELD DIMENSIONS.

13. THE CONTRACTOR SHALL NOTIFY THE T-MOBILE CONSTRUCTION SUPERVISOR OF ALL CHANGES OR DISCREPANCIES IN THE CONTRACT DOCUMENTS OR FIELD CONDITIONS PRIOR TO EXECUTING THE WORK IN QUESTION.

GENERAL NOTES

1. THE CONTRACTOR'S SCOPE OF WORK SHALL INCLUDE ALL ITEMS DEFINED IN THE CONTRACT DOCUMENTS. THE CONTRACT DOCUMENTS INCLUDE, BUT ARE NOT LIMITED TO, THE FOLLOWING: THE CONTRACT, SPECIFICATIONS AND CONSTRUCTION DRAWINGS.

2. ALL EQUIPMENT SUPPLIED BY THE OWNER SHALL BE PICKED UP BY THE CONTRACTOR AT THE APPROPRIATE WAREHOUSE.

3. THE CONTRACTOR IS RESPONSIBLE FOR COORDINATING ALL WORK WHILE THE WORK IS BEING PERFORMED ON-SITE SUPERVISION AT ALL TIMES. THE CONTRACTOR SHALL PROVIDE ON-SITE SUPERVISION AT ALL TIMES. THE BEST PRACTICE OF THE TRADE SHALL BE SOLELY RESPONSIBLE TO SHALL PROTECT THE CONTRACTOR'S RESPONSIBILITY TO PROVIDE AND MAINTAIN THE PROJECT AND ALL PARTS OF THE WORK UNDER THE CONTRACT.

5. THE CONTRACTOR SHALL VISIT THE JOB SITE TO REVIEW THE SCOPE OF WORK AND EXISTING JOB SITE CONDITIONS INCLUDING, BUT NOT LIMITED TO, MECHANICAL, ELECTRICAL SERVICE AND OVERALL COORDINATION. THE CONTRACTOR SHALL VERIFY ALL EXISTING CONDITIONS AND DIMENSIONS PRIOR TO SUBMITTING HIS BID. ANY DISCREPANCIES, CONFLICTS OR OMISSIONS, ETC., SHALL BE REPORTED TO THE OWNER IMMEDIATELY UPON DISCOVERY. THE CONTRACTOR SHALL PROTECT ALL EXISTING UTILITIES WHICH MAY OCCUR DURING CONSTRUCTION. ANY DAMAGE TO NEW AND EXISTING CONSTRUCTION, STRUCTURE, LANDSCAPING OR EQUIPMENT SHALL BE IMMEDIATELY REPAIRED OR REPLACED TO THE SATISFACTION OF THE TENANT, BUILDING OWNER OR OWNER'S REPRESENTATIVE AT THE EXPENSE OF THE CONTRACTOR.

7. IT SHALL BE THE RESPONSIBILITY OF THE CONTRACTOR TO LOCATE ALL EXISTING UTILITIES, WHETHER SHOWN HEREON OR NOT, AND TO PROTECT THEM FROM DAMAGE. THE CONTRACTOR SHALL BEAR ALL EXPENSES FOR REPAIR OR REPLACEMENT OF UTILITIES OR OTHER PROPERTY DAMAGED IN CONJUNCTION WITH THE EXECUTION OF WORK.

8. THE CONTRACTOR SHALL BE RESPONSIBLE FOR THE COMPLETE SECURITY OF THE SITE WHILE THE JOB IS IN PROGRESS AND UNTIL THE JOB IS COMPLETED.

9. THE CONTRACTOR SHALL PROVIDE WATER, POWER AND TOILET FACILITIES AS REQUIRED BY THE CITY OR GOVERNING AGENCY.

10. THE CONTRACTOR AND ALL SUBORDINATE CONTRACTORS SHALL COMPLETE ALL LOCAL AND STATE REGULATIONS.

11. THE CONTRACTOR SHALL OBTAIN ALL NECESSARY PERMITS, LICENSES AND INSPECTIONS NECESSARY FOR PERFORMANCE OF THE WORK AND INCLUDE THOSE IN THE COST OF THE WORK TO T-MOBILE.

12. FIGURED DIMENSIONS HAVE PRECEDENCE OVER DRAWING SCALE, AND DETAIL DRAWINGS HAVE PRECEDENCE OVER SMALL DRAWINGS. CHECK ACCURACY OF ALL DIMENSIONS IN THE FIELD, UNLESS SPECIFICALLY NOTED. DO NOT FABRICATE ANY MATERIALS OFF SITE, NOR DO ANY CONSTRUCTION UNTIL THE ACCURACY OF DRAWING DIMENSIONS HAVE BEEN VERIFIED AGAINST ACTUAL FIELD DIMENSIONS.

13. THE CONTRACTOR SHALL NOTIFY THE T-MOBILE CONSTRUCTION SUPERVISOR OF ALL CHANGES OR DISCREPANCIES IN THE CONTRACT DOCUMENTS OR FIELD CONDITIONS PRIOR TO EXECUTING THE WORK IN QUESTION.

14. THE CONTRACTOR SHALL NOTIFY THE T-MOBILE CONSTRUCTION SUPERVISOR IF DETAILS ARE CONSIDERED UNSOUND, UNSAFE, NOT WATERPROOF, OR NOT WITHIN CUSTOMARY TRADE PRACTICE. IF WORK IS PERFORMED, IT WILL BE ASSUMED THAT THERE IS NO OBJECTION TO THE DETAIL. DETAILS ARE INTENDED TO SHOW THE END RESULT OF THE DESIGN. MINOR MODIFICATIONS MAY BE REQUIRED TO SUIT JOB CONDITIONS.

15. EXISTING ELEVATIONS AND CONDITIONS TO BE JOINED SHALL BE VERIFIED BY THE CONTRACTOR BEFORE CONSTRUCTION. IF THEY DIFFER FROM THOSE SHOWN ON THE PLANS, THE CONTRACTOR SHALL NOTIFY THE T-MOBILE CONSTRUCTION SUPERVISOR SO THAT MODIFICATIONS CAN BE MADE BEFORE PROCEEDING WITH THE WORK.

16. ALL SYMBOLS AND ABBREVIATIONS USED ON THE DRAWINGS ARE CONSIDERED CONSTRUCTION STANDARDS. IF THE CONTRACTOR HAS QUESTIONS REGARDING THEIR EXACT MEANING, THE T-MOBILE CONSTRUCTION SUPERVISOR SHALL BE NOTIFIED FOR CLARIFICATION BEFORE PROCEEDING WITH THE WORK.

17. THE CONTRACTOR SHALL PROVIDE ALL NECESSARY BLOCKING, BACKING, FRAMING, HANGERS OR OTHER SUPPORT FOR ALL OTHER ITEMS REQUIRING THE SAME.

18. CITY APPROVED PLANS SHALL BE KEPT IN A PLAN BOX AND SHALL NOT BE USED BY WORKMEN. ALL CONSTRUCTION SETS SHALL REFLECT SAME INFORMATION. AT ALL TIMES THESE ARE TO BE UNDER THE CARE OF THE JOB SUPERINTENDENT.

19. DESIGN DRAWINGS ARE DIAGRAMMATIC ONLY AND SHALL BE CONSIDERED UNRELIABLE. ANY CONDITIONS WILL BE CORRECTED BY THE CONTRACTOR. ANY DESIGN DISCREPANCIES WILL BE BROUGHT TO THE ATTENTION OF THE T-MOBILE CONSTRUCTION SUPERVISOR FOR CLARIFICATION OR CORRECTION BEFORE CONSTRUCTION.

20. AS-BUILTS REQUIREMENTS: DO NOT USE RECORD DOCUMENTS FOR CONSTRUCTION PURPOSES. PROTECT RECORD DOCUMENTS FROM DETERIORATION AND LOSS IN A SECURE, FIRE-RESISTANT LOCATION. PROVIDE ACCESS TO RECORD DOCUMENTS FOR THE T-MOBILE CONSTRUCTION SUPERVISOR'S REFERENCE DURING NORMAL WORKING HOURS.

21. ALL CONSTRUCTION MARKING SHALL BE DONE WITH RED INK. THE PRINTS OF ORIGINAL DRAWINGS SHALL BE KEPT ON THE JOB SITE TO SHOW THE ACTUAL INSTALLATION WHERE THE INSTALLATION VARIES SUBSTANTIALLY FROM THE WORK AS ORIGINALLY SHOWN. MARK WHICH DRAWINGS IS MOST CAPABLE OF SHOWING CONDITIONS FULLY AND ACCURATELY. WHERE SHOP DRAWINGS ARE USED, RECORD A CROSS-REFERENCE AT THE CORRESPONDING LOCATION ON THE CONTRACT DRAWINGS. GIVE PARTICULAR ATTENTION TO CONCEALED ELEMENTS THAT WOULD BE DIFFICULT TO MEASURE AND RECORD AT A LATER DATE. MARK RECORD SETS WITH RED FRAGILE PENCIL. USE OTHER COLORS TO IDENTIFY WORK WITH REFERENCE TO THE SPECIFICATIONS. THE CONTRACTOR SHALL MARK NEW INFORMATION THAT IS IMPORTANT TO THE OWNER BUT WAS NOT SHOWN ON THE CONTRACT DRAWINGS, DETAILS OR SHOP DRAWINGS. NOTE RELATED CHANGE ORDER NUMBERS WHERE APPLICABLE. NOTE RELATED RECORD DRAWING INFORMATION AND PRODUCT DATA. UPON COMPLETION OF THE WORK, SUBMIT ONE (1) COMPLETE SET OF RECORD DOCUMENTS TO THE T-MOBILE CONSTRUCTION SUPERVISOR FOR THE OWNER'S RECORDS.

GENERAL NOTES

SCALE: 1" = 10'-0"

NTS

1

FIGURE 1



T-MOBILE WEST, LLC
2323 DELGANY STREET
DENVER, CO 80216



POWDER RIVER
Engineering Services, LLC
www.powderriverdev.com

LICENSE #: N/A

REV# DATE DESCRIPTION INT

REV#	DATE	DESCRIPTION	INT
B	10/13/16	ISSUED FOR REVIEW 90%	IE
A	05/10/16	ISSUED FOR REVIEW 80%	IE

THESE PLANS AND SPECIFICATIONS, AS INSTRUMENTS OF SERVICE, ARE THE PROPERTY OF POWDER RIVER ENGINEERING SERVICES, LLC. THESE PLANS AND SPECIFICATIONS SHALL NOT BE REPRODUCED, COPIED, OR TRANSMITTED IN ANY FORM OR BY ANY MEANS, WITHOUT WRITTEN CONSENT OF THE ENGINEER.

SITE INFORMATION

DN04163B
SW SPRINGS
2520 ARLINGTON DR.
COLORADO SPRINGS, CO
80910

SHEET TITLE:
GENERAL NOTES

SHEET NUMBER:
GN-2
CPC CM1.16-00070

GENERAL NOTES

SCALE
NTS

1

FIGURE 1

PROJECT SPECIFICATION 16000 (ELECTRICAL)
PART I: GENERAL
1.1 SCOPE
1.2 REFERENCES: THE PUBLICATIONS LISTED BELOW FORM PART OF THIS SPECIFICATION. EACH PUBLICATION SHALL BE THE LATEST REVISION AND ADDENDUM IN EFFECT ON THE DATE THIS SPECIFICATION IS ISSUED FOR CONSTRUCTION, UNLESS NOTED OTHERWISE. EXCEPT AS MODIFIED BY THE REQUIREMENTS SPECIFIED HEREIN, OR THE DETAILS OF THE DRAWINGS, WORK INCLUDED IN THIS SPECIFICATION SHALL CONFORM TO THE APPLICABLE PROVISIONS OF THESE PUBLICATIONS.
1.3 SYSTEM DESCRIPTION
1.4 DESIGN REQUIREMENTS: THE CONTRACTOR SHALL INSTALL UNDERGROUND ELECTRICAL AND TELEPHONE CONDUITS AND CABLE AS SPECIFIED HEREIN AND AS SHOWN ON THE DRAWINGS.
1.5 PERFORMANCE REQUIREMENTS: WHEN FINISHED, WORK SHALL BE IN A COMPLETE AND UNDAMAGED STATE, AS REQUIRED IN THE CONTRACT DOCUMENTS.
PART II: PRODUCTS
2.1 GENERAL
A. ITEMS SHALL BE NEW AND SHALL BE INSTALLED ONLY IF IN FIRST-CLASS CONDITION.
B. SUBSTITUTIONS FOR MATERIAL WILL BE PERMITTED ONLY BY WRITTEN APPROVAL OF THE T-MOBILE CONSTRUCTION SUPERVISOR
2.2 MATERIALS: THE CONTRACTOR SHALL PROVIDE ALL MATERIAL EXCEPT AS SPECIFIED IN THE CONTRACT DOCUMENTS. ALL MATERIAL SHALL BE APPROVED AND LISTED BY OR BEAR THE U.L. LABEL, AND WILL COMPLY WITH ANSI, IEEE AND NEMA STANDARDS WHERE APPLICABLE.
A. CONDUITS:
1. ALL UNDERGROUND CONDUIT SHALL BE SCHEDULE 40 PVC, SIZED AS SHOWN ON THE CONSTRUCTION DRAWINGS.
2. ALL EXTERIOR ABOVEGROUND CONDUIT SHALL BE PER LOCAL CODE REQUIREMENTS.
3. ALL INTERIOR CONDUIT SHALL BE EMT WITH COMPRESSION-TYPE FITTINGS.
4. LIQUID-TIGHT FLEXIBLE METALLIC CONDUIT SHALL BE USED FOR OUTDOOR LOCATIONS WHERE FLEXIBLE CONNECTION IS REQUIRED.
B. CABLES/CONDUCTORS FOR GENERAL WIRING SHALL BE NEC STANDARD ANNEALED COPPER WIRE WITH NEC 600 VOLT INSULATION.
1. #10 AND LARGER-STRANDED TYPE, THHN OR THWN
2. #10 AND SMALLER-SOLID TYPE THHN OR THWN
3. CONDUCTORS IN CONDUIT IN OR ADJACENT TO HIGH HEAT SOURCE SHALL BE TYPE XHHW
4. CONDUCTORS IN CONDUITS ABOVE ROOF, ON TOP OF ROOF OR INSIDE BUILT-UP ROOFING MATERIAL SHALL BE TYPE XHHW
C. CONVENIENCE OUTLET: UNLESS NOTED OTHERWISE, SURFACE-MOUNTED OUTLETS FOR EXTERIOR LOCATIONS SHALL BE FERALLOY, CAD/ZINC ELECTROPLATED WITH THREADED HUBS OR CONDUIT ENTRANCES DRILLED AND TAPPED. ALL COVERS SHALL BE SELF-CLOSING AND GASKETED. SURFACE MOUNTED OUTLETS FOR INTERIOR LOCATIONS SHALL BE GALVANIZED, PRESSED STEEL WITH COVER PLATE, SIERRA PLASTIC STYLE, IVORY COLOR.
D. COAXIAL CABLE SUPPORTS 1. ALL WAVE GUIDE SUPPORTS SHALL BE MANUFACTURED TO MEET ALL COAX MINIMUM BENDING REQUIREMENTS WAVE GUIDES, AND B1587 FOR 6 WAVE GUIDES. SUPPORTS SHALL BE PROVIDED 3' -0" ON CENTERS.
PART III: EXECUTION
3.1 PREPARATION
A. BEFORE LAYING OUT WORK, EXERCISE PROPER PRECAUTION TO VERIFY EACH MEASUREMENT.
B. USE EXTREME CAUTION BEFORE EXCAVATING IN EXISTING AREAS TO LOCATE EXISTING UNDERGROUND SERVICES.
3.2 INSPECTION
A. A VISUAL CHECK OF ELECTRICAL AND TELEPHONE CABLES, CONDUITS, AND OTHER ITEMS SHALL BE MADE BY AN T -MOBILE CONSTRUCTION SUPERVISOR BEFORE THESE ITEMS ARE PERMANENTLY INSTALLED.
B. THE CONTRACTOR SHALL NOTIFY THE T -MOBILE CONSTRUCTION SUPERVISOR 24 HOURS PRIOR TO TRENCH BACK FILL
3.3 INSTALLATION
A. TRENCHING, BACK FILLING, BEDDING AND COMPACTING SHALL COMPLY WITH SITE WORK SPECIFICATIONS.
B. DIG TRENCHES TO THE REQUIRED DEPTH AS SHOWN ON THE DRAWINGS WITHOUT POCKETS OR DIPS. REMOVE LARGE STONES FROM THE BOTTOM OF THE TRENCH AND FIRMLY TAMP LOOSE FILL IN THE BOTTOM BEFORE CONDUIT IS Laid.
C. INSTALL UNDERGROUND CONDUIT WITH A MINIMUM 3-INCH TO 1 00-FOOT SLOPE OR TO A SLOPE SHOWN ON THE DRAWINGS.
D. UNLESS SHOWN OTHERWISE ON THE DRAWINGS, TERMINATE AND CAP ALL STUB-UPS 12 INCHES ABOVE FINISHED GRADE ELEVATION.
E. WHEREVER CONDUITS CROSS UNDER ROADWAYS, USE GALVANIZED RIGID STEEL CONDUITS IN ALL CASES, EXTENDING 5 FEET BEYOND THE EDGE OF THE ROAD BED. MINIMUM DEPTH FOR CONDUIT SHALL BE 4 FEET BELOW ROADWAY GRADE.
F. MARK UNDERGROUND CONDUITS WITH A 6-INCH WIDE RED POLYETHYLENE TAPE BURIED 6 INCHES UNDER THE SURFACE DIRECTLY OVER THE CONDUITS. MARK THE TAPE THUS: CAUTION-BURIED ELECTRICAL CABLE.
G. FOR SEALING CONDUITS, USE ONLY NONTHERMOPLASTIC COMPOUNDS SUCH AS J-M DUXSEAL OR AN APPROVED SUBSTITUTE. THE COMPOUND SHALL HAVE NO EFFECT ON RUBBER OR RUBBER-LIKE INSULATIONS. LEAD, ALUMINUM OR FERROUS ALLOYS: IT SHALL BE INSOLUBLE IN WATER AND WITHSTAND MAXIMUM TEMPERATURE RANGES OF THE LOCALITY.
H. COAXIAL - REFER TO NOKIA ANTENNA AND COAXIAL CABLE INSULATION PROCEDURES.
I. ANTENNA - REFER TO NOKIA ANTENNA AND COAXIAL CABLE INSULATION PROCEDURES.
J. LNA/MHA - REFER TO NOKIA ANTENNA AND COAXIAL CABLE INSULATION PROCEDURES.
END OF ELECTRICAL SPECIFICATIONS

PROJECT SPECIFICATION 16670 (GROUNDING)
PART I: GENERAL
1.1 SCOPE
1.2 REFERENCES: THE PUBLICATIONS LISTED BELOW FORM PART OF THIS SPECIFICATION. EACH PUBLICATION SHALL BE THE LATEST REVISION AND ADDENDUM IN EFFECT ON THE DATE THIS SPECIFICATION IS ISSUED FOR CONSTRUCTION, UNLESS NOTED OTHERWISE. EXCEPT AS MODIFIED BY THE REQUIREMENTS SPECIFIED HEREIN, OR THE DETAILS OF THE DRAWINGS, WORK INCLUDED IN THIS SPECIFICATION SHALL CONFORM TO THE APPLICABLE PROVISIONS OF THESE PUBLICATIONS.
A. ANSI (AMERICAN NATIONAL STANDARDS INSTITUTE)
B. NEC (NATIONAL ELECTRICAL CODE), latest edition
C. NEMA (NATIONAL ELECTRICAL MANUFACTURERS ASSOCIATION)
D. NFPA 70 (NATIONAL FIRE PROTECTION ASSOCIATION)
E. OSHA (OCCUPATIONAL SAFETY AND HEALTH ADMINISTRATION), INCLUDING ALL APPLICABLE AMENDMENTS
F. U.L. (UNDERWRITERS LABORATORIES)
PART II: PRODUCTS
2.1 GENERAL
A. ITEMS SHALL BE NEW AND SHALL BE INSTALLED ONLY IF IN FIRST-CLASS CONDITION.
B. SUBSTITUTIONS FOR MATERIAL WILL BE PERMITTED ONLY BY WRITTEN APPROVAL OF THE T-MOBILE CONSTRUCTION SUPERVISOR
2.2 MATERIALS: THE CONTRACTOR SHALL PROVIDE ALL MATERIAL EXCEPT AS SPECIFIED IN THE CONTRACT DOCUMENTS. ALL MATERIAL SHALL BE APPROVED AND LISTED BY OR BEAR THE U.L. LABEL, AND WILL COMPLY WITH ANSI, IEEE AND NEMA STANDARDS WHERE APPLICABLE.
A. CONDUITS:
1. ALL UNDERGROUND CONDUIT SHALL BE SCHEDULE 40 PVC, SIZED AS SHOWN ON THE CONSTRUCTION DRAWINGS.
2. ALL EXTERIOR ABOVEGROUND CONDUIT SHALL BE PER LOCAL CODE REQUIREMENTS.
3. ALL INTERIOR CONDUIT SHALL BE EMT WITH COMPRESSION-TYPE FITTINGS.
4. LIQUID-TIGHT FLEXIBLE METALLIC CONDUIT SHALL BE USED FOR OUTDOOR LOCATIONS WHERE FLEXIBLE CONNECTION IS REQUIRED.
B. CABLES/CONDUCTORS FOR GENERAL WIRING SHALL BE NEC STANDARD ANNEALED COPPER WIRE WITH NEC 600 VOLT INSULATION.
1. #10 AND LARGER-STRANDED TYPE, THHN OR THWN
2. #10 AND SMALLER-SOLID TYPE THHN OR THWN
3. CONDUCTORS IN CONDUIT IN OR ADJACENT TO HIGH HEAT SOURCE SHALL BE TYPE XHHW
4. CONDUCTORS IN CONDUITS ABOVE ROOF, ON TOP OF ROOF OR INSIDE BUILT-UP ROOFING MATERIAL SHALL BE TYPE XHHW
C. CONVENIENCE OUTLET: UNLESS NOTED OTHERWISE, SURFACE-MOUNTED OUTLETS FOR EXTERIOR LOCATIONS SHALL BE FERALLOY, CAD/ZINC ELECTROPLATED WITH THREADED HUBS OR CONDUIT ENTRANCES DRILLED AND TAPPED. ALL COVERS SHALL BE SELF-CLOSING AND GASKETED. SURFACE MOUNTED OUTLETS FOR INTERIOR LOCATIONS SHALL BE GALVANIZED, PRESSED STEEL WITH COVER PLATE, SIERRA PLASTIC STYLE, IVORY COLOR.
D. COAXIAL CABLE SUPPORTS 1. ALL WAVE GUIDE SUPPORTS SHALL BE MANUFACTURED TO MEET ALL COAX MINIMUM BENDING REQUIREMENTS WAVE GUIDES, AND B1587 FOR 6 WAVE GUIDES. SUPPORTS SHALL BE PROVIDED 3' -0" ON CENTERS.
PART III: EXECUTION
3.1 PREPARATION
A. BEFORE LAYING OUT WORK, EXERCISE PROPER PRECAUTION TO VERIFY EACH MEASUREMENT.
B. USE EXTREME CAUTION BEFORE EXCAVATING IN EXISTING AREAS TO LOCATE EXISTING UNDERGROUND SERVICES.
3.2 INSPECTION
A. A VISUAL CHECK OF ELECTRICAL AND TELEPHONE CABLES, CONDUITS, AND OTHER ITEMS SHALL BE MADE BY AN T -MOBILE CONSTRUCTION SUPERVISOR BEFORE THESE ITEMS ARE PERMANENTLY INSTALLED.
B. THE CONTRACTOR SHALL NOTIFY THE T -MOBILE CONSTRUCTION SUPERVISOR 24 HOURS PRIOR TO TRENCH BACK FILL
3.3 INSTALLATION
A. TRENCHING, BACK FILLING, BEDDING AND COMPACTING SHALL COMPLY WITH SITE WORK SPECIFICATIONS.
B. DIG TRENCHES TO THE REQUIRED DEPTH AS SHOWN ON THE DRAWINGS WITHOUT POCKETS OR DIPS. REMOVE LARGE STONES FROM THE BOTTOM OF THE TRENCH AND FIRMLY TAMP LOOSE FILL IN THE BOTTOM BEFORE CONDUIT IS Laid.
C. INSTALL UNDERGROUND CONDUIT WITH A MINIMUM 3-INCH TO 1 00-FOOT SLOPE OR TO A SLOPE SHOWN ON THE DRAWINGS.
D. UNLESS SHOWN OTHERWISE ON THE DRAWINGS, TERMINATE AND CAP ALL STUB-UPS 12 INCHES ABOVE FINISHED GRADE ELEVATION.
E. WHEREVER CONDUITS CROSS UNDER ROADWAYS, USE GALVANIZED RIGID STEEL CONDUITS IN ALL CASES, EXTENDING 5 FEET BEYOND THE EDGE OF THE ROAD BED. MINIMUM DEPTH FOR CONDUIT SHALL BE 4 FEET BELOW ROADWAY GRADE.
F. MARK UNDERGROUND CONDUITS WITH A 6-INCH WIDE RED POLYETHYLENE TAPE BURIED 6 INCHES UNDER THE SURFACE DIRECTLY OVER THE CONDUITS. MARK THE TAPE THUS: CAUTION-BURIED ELECTRICAL CABLE.
G. FOR SEALING CONDUITS, USE ONLY NONTHERMOPLASTIC COMPOUNDS SUCH AS J-M DUXSEAL OR AN APPROVED SUBSTITUTE. THE COMPOUND SHALL HAVE NO EFFECT ON RUBBER OR RUBBER-LIKE INSULATIONS. LEAD, ALUMINUM OR FERROUS ALLOYS: IT SHALL BE INSOLUBLE IN WATER AND WITHSTAND MAXIMUM TEMPERATURE RANGES OF THE LOCALITY.
H. COAXIAL - REFER TO NOKIA ANTENNA AND COAXIAL CABLE INSULATION PROCEDURES.
I. ANTENNA - REFER TO NOKIA ANTENNA AND COAXIAL CABLE INSULATION PROCEDURES.
J. LNA/MHA - REFER TO NOKIA ANTENNA AND COAXIAL CABLE INSULATION PROCEDURES.
END OF ELECTRICAL SPECIFICATIONS

3.2 EXAMINATION.
A. EXAMINE AREAS AND CONDITIONS UNDER WHICH ELECTRICAL GROUNDING AND BONDING CONNECTIONS ARE TO BE MADE AND NOTIFY T -MOBILE CONSTRUCTION SUPERVISOR IN WRITING OF CONDITIONS DETRIMENTAL TO PROPER COMPLETION OF WORK. DO NOT PROCEED WITH WORK UNTIL UNSATISFACTORY CONDITIONS HAVE
B. THE CONTRACTOR SHALL NOTIFY THE T -MOBILE CONSTRUCTION SUPERVISOR 24 HOURS PRIOR TO TRENCH BACK FILL ALL WORK DONE BELOW FINISHED GRADE SHALL BE INSPECTED BY THE AERIAL CONSTRUCTION SUPERVISOR DURING THAT PERIOD OR THE CONTRACTOR SHALL PROCEED.
3.3 GROUND TESTING
A. THE CONTRACTOR SHALL TEST THE GROUND ELECTRODE ROD RESISTANCE IN ACCORDANCE WITH THE METHODS OF MEASUREMENT SHOWN IN THE FALL OF POTENTIAL METHOD.
B. TEST INSTRUMENTS SHALL OPERATE AT A FREQUENCY OTHER THAN 60 HERTZ, AND SHALL CONTAIN STRAY CURRENT AND DC FILTERS, FAULT CURRENT PROTECTION AND HAVE SENSITIVITY TO OPERATE A LOW SIGNAL STRENGTH.
C. PRIOR TO TESTING, THE CONTRACTOR SHALL DE-ENERGIZE ALL POWER SOURCES. DISCONNECT THE ELECTRODE CONDUCTOR FROM THE GROUND ROD, WEAR HIGH VOLTAGE RUBBER SAFETY GLOVES AND WILL NOT HANDLE TEST INSTRUMENTS IF AT ALL POSSIBLE.
D. GROUND TESTS ARE TO BE PERFORMED BY QUALIFIED PERSONS FAMILIAR WITH THE CONSTRUCTION AND OPERATION OF THE EQUIPMENT AND THE HAZARDS INVOLVED.
E. AN INDEPENDENT, APPROVED OUTSIDE FIRM SHALL PERFORM THE GROUND TEST AS OUTLINED. ALL TEST RESULTS SHALL BE FORWARDED TO THE T -MOBILE CONSTRUCTION SUPERVISOR FOR APPROVAL.
END OF GROUNDING SPECIFICATIONS
CLOSE OUT DOCUMENTATION
1. AS-BUILT DESIGN DRAWINGS
2. SWEEP TEST RESULTS
3. PERSISTENT TEST
4. PHOTO DOCUMENTATION OF
- UNDERGROUND CONDUITS AND GROUND RING
- ANTENNA COAXIAL JUMPER ATTACHMENTS AND GROUND KIT ATTACHMENTS
- ANTENNA DOWN TILT MEASUREMENT USING AN INCLINOMETER ON THE BACK PLANE OF THE ANTENNA
- GROUND BAR ATTACHMENTS
5. SIGNED OFF PERMIT CARDS
6. CERTIFICATE OF OCCUPANCY
7. RETURN OF KEYS AND/OR ACCESS AUTHORIZATION
B. ORIGINAL BUILDING PERMIT



T-MOBILE WEST, LLC
2323 DELGANY STREET
DENVER, CO 80216



POWDER RIVER
Engineering Services, LLC
www.powderriverdev.com

LICENSE #: N/A

REVISIONS		
REV	DATE	DESCRIPTION
B	06/13/16	ISSUED FOR REVIEW 80% J.E
A	05/10/16	ISSUED FOR REVIEW 80% J.E

THESE PLANS AND SPECIFICATIONS, AS INSTRUMENTS OF SERVICE, ARE THE PROPERTY OF POWDER RIVER ENGINEERING SERVICES, LLC. WHETHER THE PROJECTS FOR WHICH THEY ARE MADE ARE EXECUTED OR NOT, THESE DRAWINGS AND SPECIFICATIONS SHALL NOT BE LOANED, REPRODUCED, COPIED, REPRODUCED, OR OTHERWISE USED WITHOUT WRITTEN CONSENT OF THE ENGINEER.

SITE INFORMATION

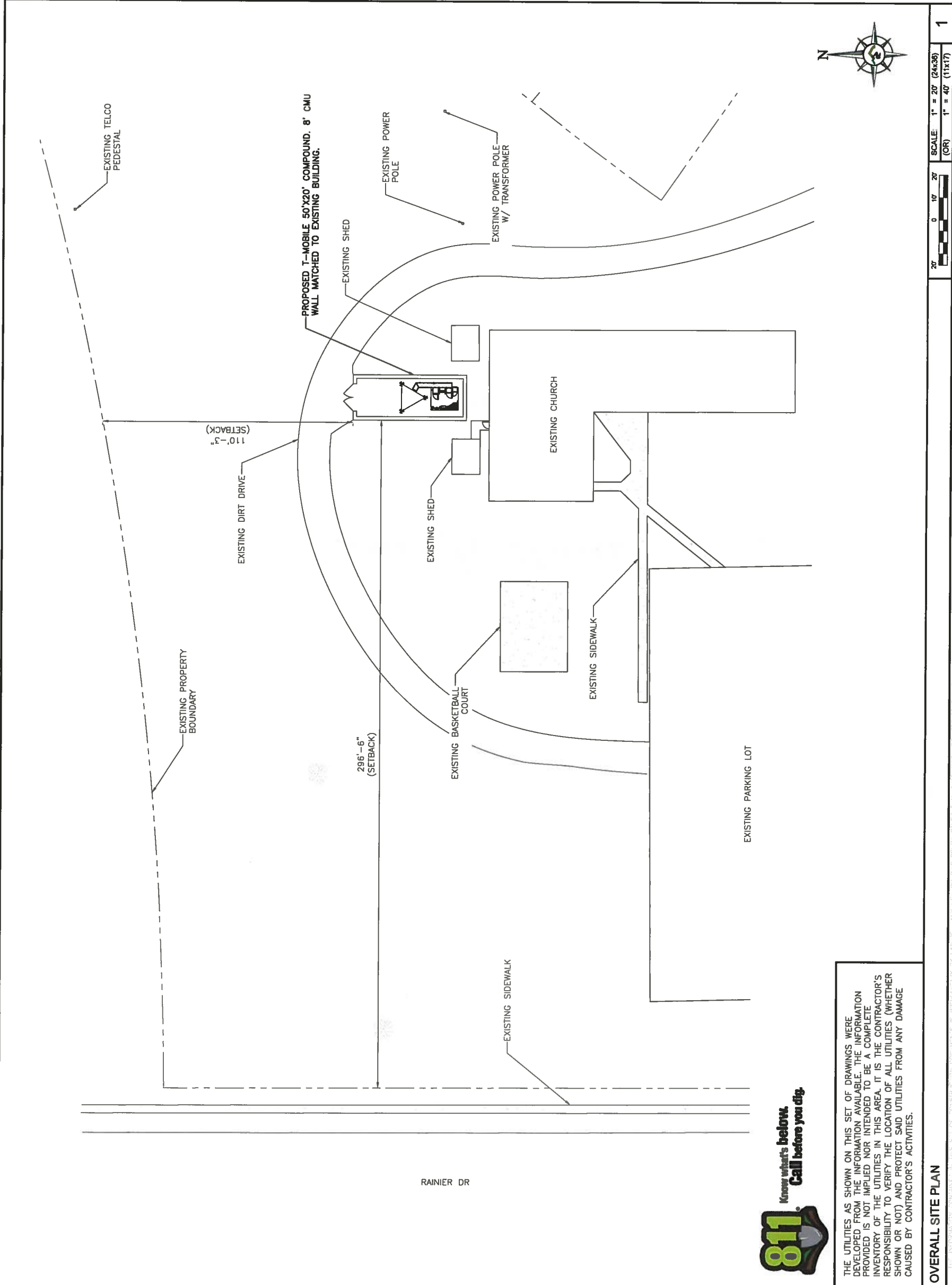
DN04163B
SW SPRINGS

2520 ARLINGTON DR.
COLORADO SPRINGS, CO
80910

SHEET TITLE:
**OVERALL
SITE PLAN**

SHEET NUMBER:
C-1

CPC CM1_16-00070




THE UTILITIES AS SHOWN ON THIS SET OF DRAWINGS WERE DEVELOPED FROM THE INFORMATION AVAILABLE. THE INFORMATION PROVIDED IS NOT IMPLIED NOR INTENDED TO BE A COMPLETE INVENTORY OF THE UTILITIES IN THIS AREA. IT IS THE CONTRACTOR'S RESPONSIBILITY TO VERIFY THE LOCATION OF ALL UTILITIES (WHETHER SHOWN OR NOT) AND PROTECT SAID UTILITIES FROM ANY DAMAGE CAUSED BY CONTRACTOR'S ACTIVITIES.

OVERALL SITE PLAN


SCALE: 1" = 20' (24x36) | 1" = 40' (11x17)

1

FIGURE 1



T-MOBILE WEST, LLC
2323 DELGANY STREET
DENVER, CO 80216



POWDER RIVER
Engineering Services, LLC
www.powderriverdev.com

LICENSE #: N/A

REV	DATE	DESCRIPTION	INT
B	06/13/16	ISSUED FOR REVIEW 90%	JE
A	05/10/16	ISSUED FOR REVIEW 90%	JE

THESE PLANS AND SPECIFICATIONS, AS INSTRUMENTS OF SERVICE, ARE PREPARED BY THE ENGINEER OR ARCHITECT FOR THE PROJECTS AND SERVICES SPECIFICALLY IDENTIFIED THEREIN. THEY ARE MADE AVAILABLE TO YOU AS A CONVENIENCE AND NO GUARANTEE OR WARRANTY IS MADE BY THE ENGINEER OR ARCHITECT FOR ANY OTHER PROJECTS OR SERVICES. ANY USE OF THESE PLANS OR SPECIFICATIONS FOR ANY OTHER PROJECTS OR SERVICES WITHOUT THE WRITTEN CONSENT OF THE ENGINEER OR ARCHITECT IS STRICTLY PROHIBITED.

SITE INFORMATION

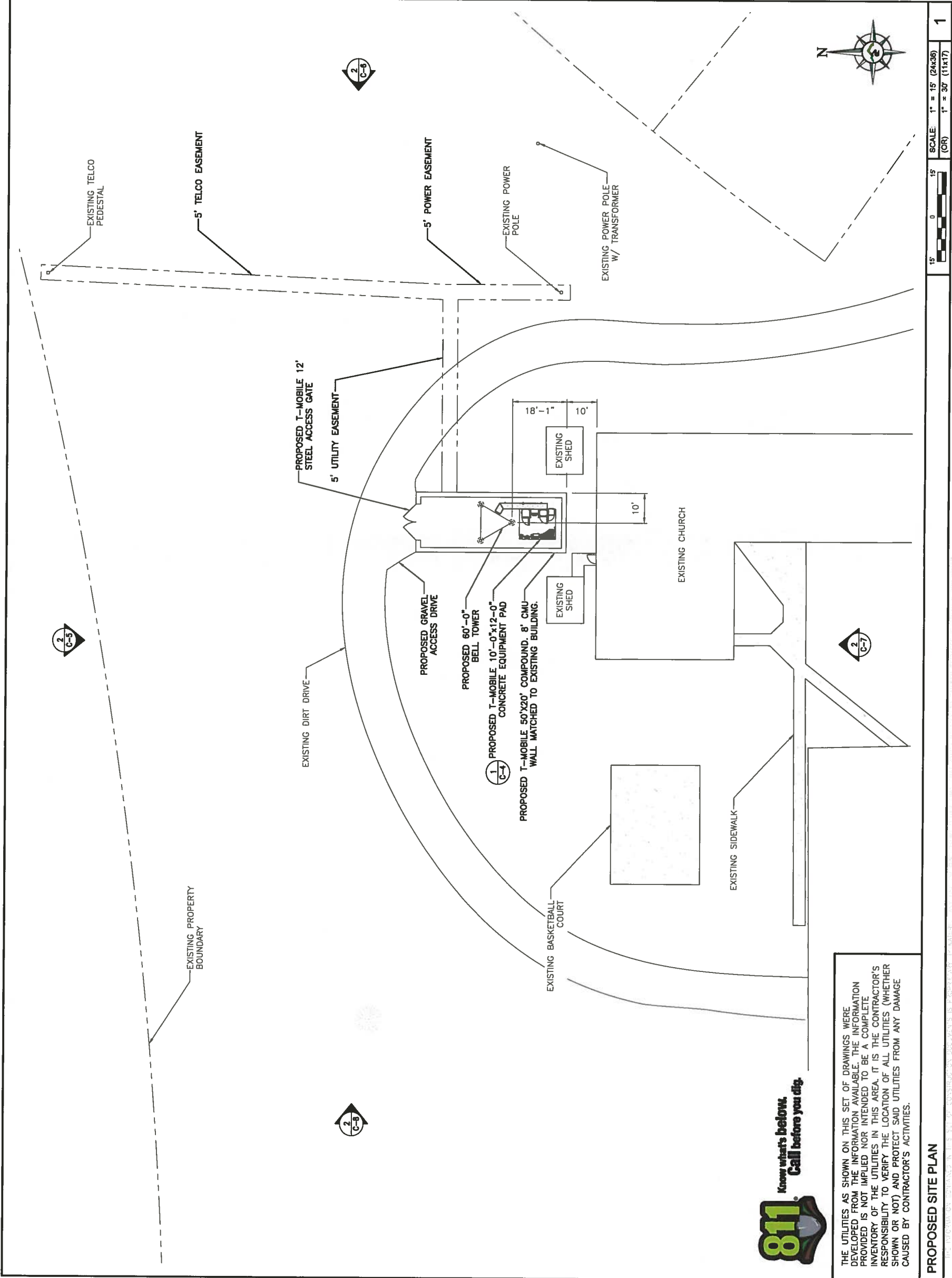
DN04163B
SW SPRINGS

2520 ARLINGTON DR.
COLORADO SPRINGS, CO
80910

SHEET TITLE:
**PROPOSED
SITE PLAN**

SHEET NUMBER:
C-3

CPC CM 1.16-00070



THE UTILITIES AS SHOWN ON THIS SET OF DRAWINGS WERE DEVELOPED FROM THE INFORMATION AVAILABLE. THE INFORMATION PROVIDED IS NOT IMPLIED NOR INTENDED TO BE A COMPLETE INVENTORY OF THE UTILITIES IN THIS AREA. IT IS THE CONTRACTOR'S RESPONSIBILITY TO VERIFY THE LOCATION OF ALL UTILITIES (WHETHER SHOWN OR NOT) AND PROTECT SAID UTILITIES FROM ANY DAMAGE CAUSED BY CONTRACTOR'S ACTIVITIES.



PROPOSED SITE PLAN

SCALE: 1" = 15' (24x36) OR 1" = 30' (11x17) 1

FIGURE 1



T-MOBILE WEST, LLC
2323 DELGANY STREET
DENVER, CO 80216



POWDER RIVER
Engineering Services, LLC
www.powderriverdev.com

LICENSE #: N/A

REVISIONS		
REV	DATE	DESCRIPTION
		INT
B	06/13/16	ISSUED FOR REVIEW 90% J.E.
A	05/10/16	ISSUED FOR REVIEW 90% J.E.

THESE PLANS AND SPECIFICATIONS, AS INSTRUMENTS OF SERVICE, ARE
AND SHALL REMAIN THE PROPERTY OF POWDER RIVER DEVELOPMENT
AND SHALL BE LOANED TO YOU. THESE DRAWINGS AND SPECIFICATIONS SHALL
BE LOCATED OR NOT. THESE DRAWINGS AND SPECIFICATIONS SHALL
NOT BE REPRODUCED OR TRANSMITTED IN ANY FORM OR BY ANY MEANS,
WITHOUT PRIOR WRITTEN CONSENT OF THE ENGINEER.

SITE INFORMATION

**DN04163B
SW SPRINGS**

**2520 ARLINGTON DR.
COLORADO SPRINGS, CO
80910**

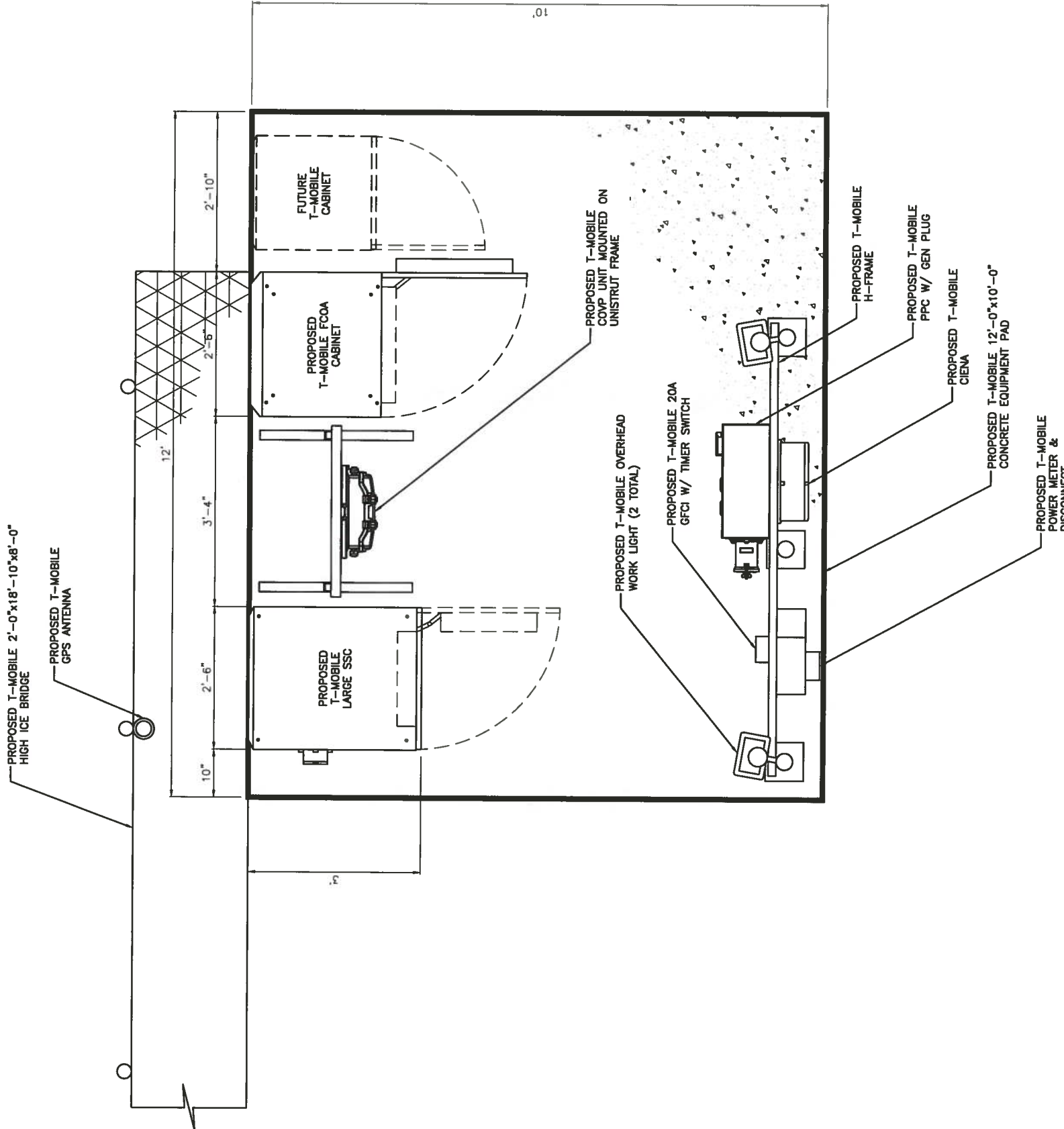
SHEET TITLE:

**PROPOSED
EQUIPMENT PLAN**

SHEET NUMBER:

C-4

CPC-CM1-16-00070



PROPOSED EQUIPMENT PLAN

FIGURE 1



T-MOBILE WEST, LLC
2323 DELGANT STREET
DENVER, CO 80216



POWDER RIVER
Engineering Services, LLC
www.powderriverdev.com

LICENSE #:	N/A
------------	-----

REV	DATE	DESCRIPTION	INT

B	06/13/16	ISSUED FOR REVIEW 90%	JE
A	05/10/16	ISSUED FOR REVIEW 90%	JE

THESE PLANS AND THEIR PORTIONS, AS INSTRUMENTS OF SERVICE, ARE THE PROPERTY OF POWDER RIVER ENGINEERING SERVICES, LLC. ANY REUSE OR REPRODUCTION OF THESE PLANS WITHOUT THE WRITTEN CONSENT OF THE ENGINEER IS PROHIBITED. THESE PLANS SHALL NOT BE USED BY ANY PERSON OR ENTITY FOR ANY OTHER PROJECTS WITHOUT PRIOR WRITTEN CONSENT OF THE ENGINEER.

SITE INFORMATION

DN04163B
SW SPRINGS

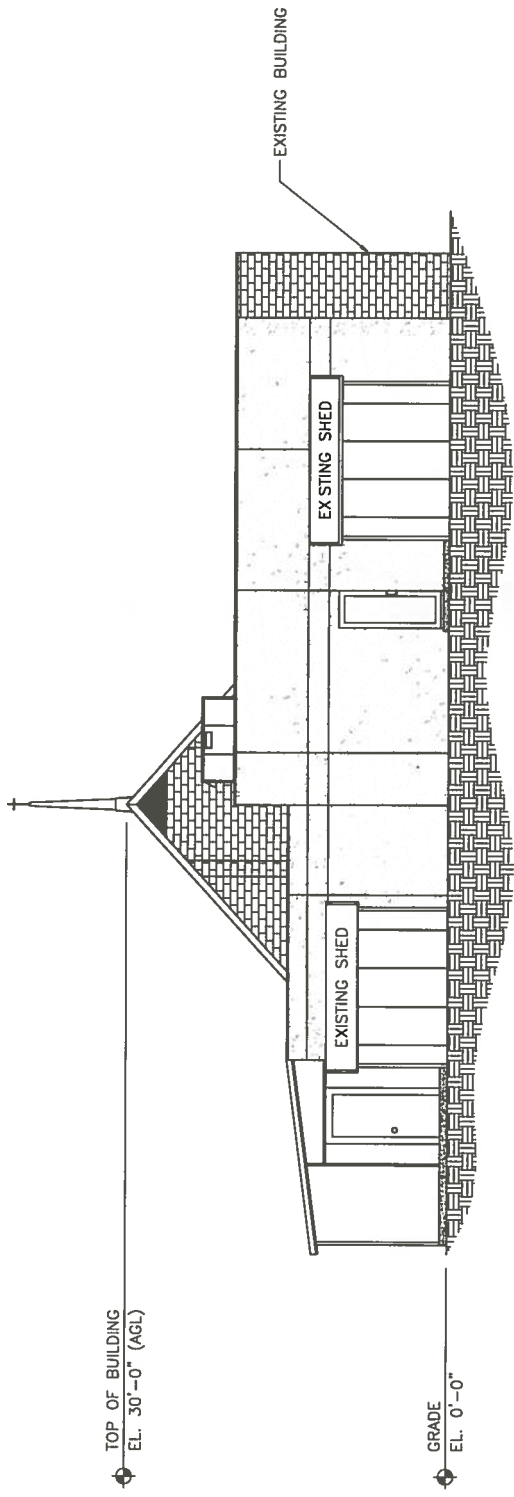
2520 ARLINGTON DR.
COLORADO SPRINGS, CO
80910

SHEET TITLE:
TOWER
ELEVATIONS

SHEET NUMBER:

C-5

CPC CM1 16-00070

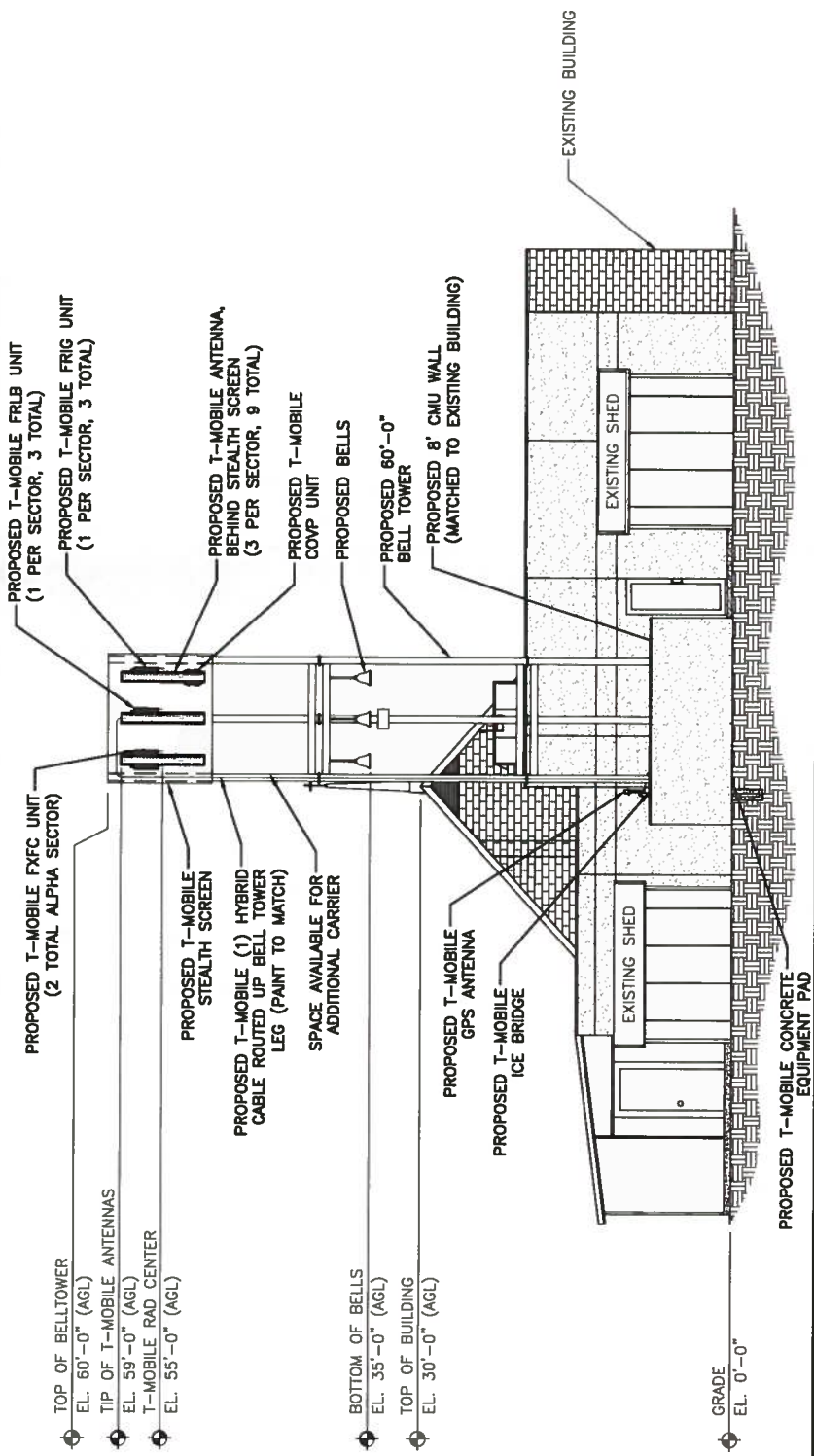


EXISTING NORTH ELEVATION

SCALE: 1/8" = 1'-0" (24x36)
(OR) 1/16" = 1'-0" (11x17)

1

NOTE:
1. STRUCTURAL ANALYSIS MUST BE PERFORMED ON ALL ROOFTOPS, FLAGPOLES, LIGHT POLES, AND TOWER SITES BEFORE INSTALLATION OF NEW ANTENNAS, RADIO UNITS, ETC.
2. ALL PROPOSED EQUIPMENT TO BE PAINTED TO MATCH PROPOSED BELL TOWER.



PROPOSED NORTH ELEVATION

SCALE: 1/8" = 1'-0" (24x36)
(OR) 1/16" = 1'-0" (11x17)

2

FIGURE 1



T-MOBILE WEST, LLC
2323 DELGANY STREET
DENVER, CO 80216



POWDER RIVER
Engineering Services, LLC
www.powderriverdev.com

LICENSE #:	N/A		
REV	DATE	DESCRIPTION	INT
B	06/13/16	ISSUED FOR REVIEW 90%	J.E.
A	05/10/16	ISSUED FOR REVIEW 80%	J.E.

THESE PLANS AND SPECIFICATIONS, AS INSTRUMENTS OF SERVICE, ARE PREPARED BY THE ENGINEER OR ARCHITECT AND ARE TO BE USED ONLY FOR THE PROJECT AND SITE SPECIFICALLY IDENTIFIED HEREIN. THESE DRAWINGS AND SPECIFICATIONS SHALL NOT BE USED FOR ANY OTHER PROJECTS WITHOUT THE WRITTEN CONSENT OF THE ENGINEER.

SITE INFORMATION

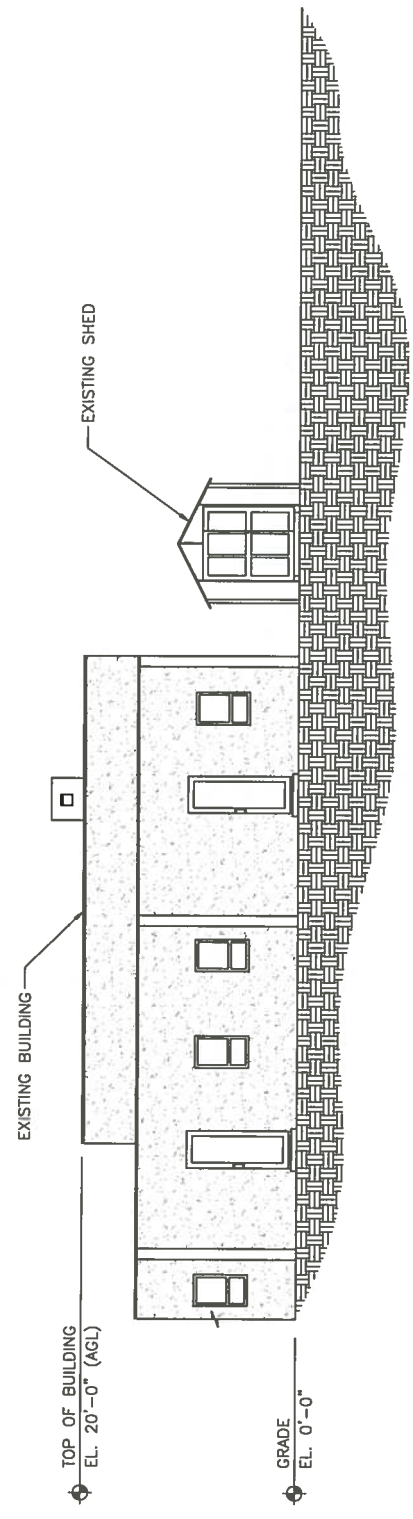
DN04163B
SW SPRINGS
2520 ARLINGTON DR.
COLORADO SPRINGS, CO
80910

SHEET TITLE:
TOWER
ELEVATIONS

SHEET NUMBER:

C-6

CFC CM1.16-00070

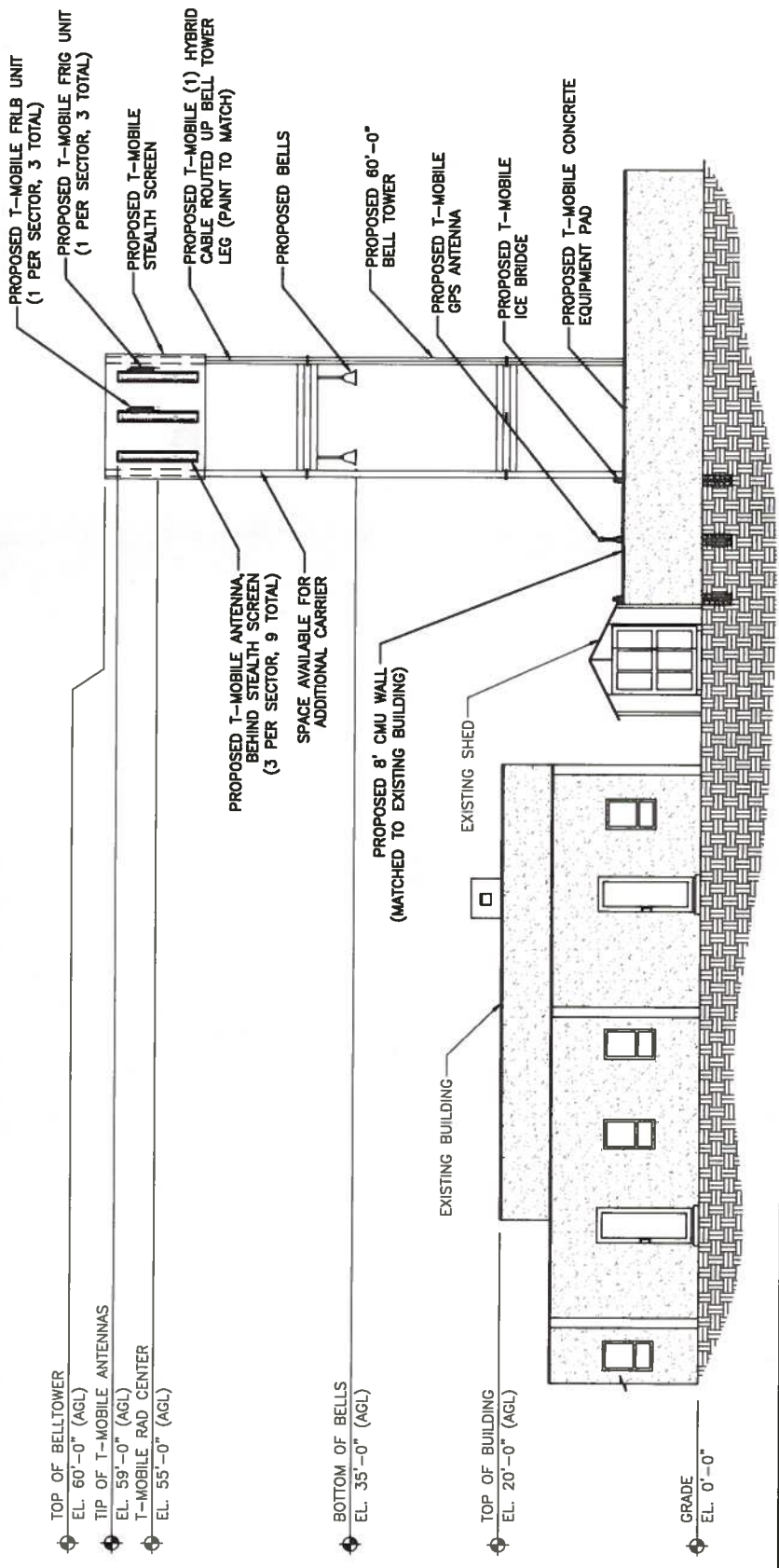


EXISTING EAST ELEVATION

SCALE: 1/8" = 1'-0" (24x36)
(OR) 1/16" = 1'-0" (11x17)

1

NOTE:
1. STRUCTURAL ANALYSIS MUST BE PERFORMED ON ALL ROOFTOPS, FLAGPOLES, LIGHT POLES, AND TOWER SITES BEFORE INSTALLATION OF NEW ANTENNAS, RADIO UNITS, ETC.
2. ALL PROPOSED EQUIPMENT TO BE PAINTED TO MATCH PROPOSED BELL TOWER.



PROPOSED EAST ELEVATION

SCALE: 1/8" = 1'-0" (24x36)
(OR) 1/16" = 1'-0" (11x17)

2

FIGURE 1



T-MOBILE WEST, LLC
2323 DELGANY STREET
DENVER, CO 80216



POWDER RIVER
Engineering Services, LLC
www.powderriverdev.com

LICENSE #:	N/A		
REV	DATE	DESCRIPTION	INT
B	06/13/16	ISSUED FOR REVIEW 90%	JE
A	05/10/16	ISSUED FOR REVIEW 90%	JE

THESE PLANS AND SPECIFICATIONS, AS INSTRUMENTS OF SERVICE, ARE PREPARED BY THE ENGINEER OR ARCHITECT FOR THE PURPOSES OF PERFORMING THE SERVICES AND THE PRODUCTS FOR WHICH THEY ARE MADE. THE ENGINEER OR ARCHITECT DOES NOT WARRANT THAT THEY ARE MADE WITHOUT FAULT. THESE DRAWINGS AND SPECIFICATIONS SHALL NOT BE USED FOR ANY OTHER PURPOSES WITHOUT THE WRITTEN CONSENT OF THE ENGINEER.

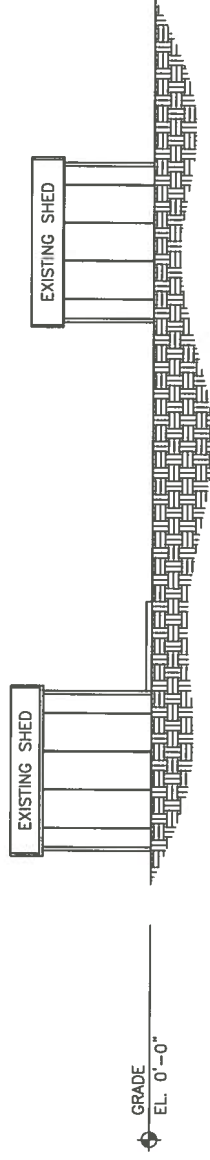
SITE INFORMATION

DN04163B
SW SPRINGS
2520 ARLINGTON DR.
COLORADO SPRINGS, CO
80910

SHEET TITLE:
TOWER
ELEVATIONS
SHEET NUMBER:
C-7

CPC CM1.16-00070

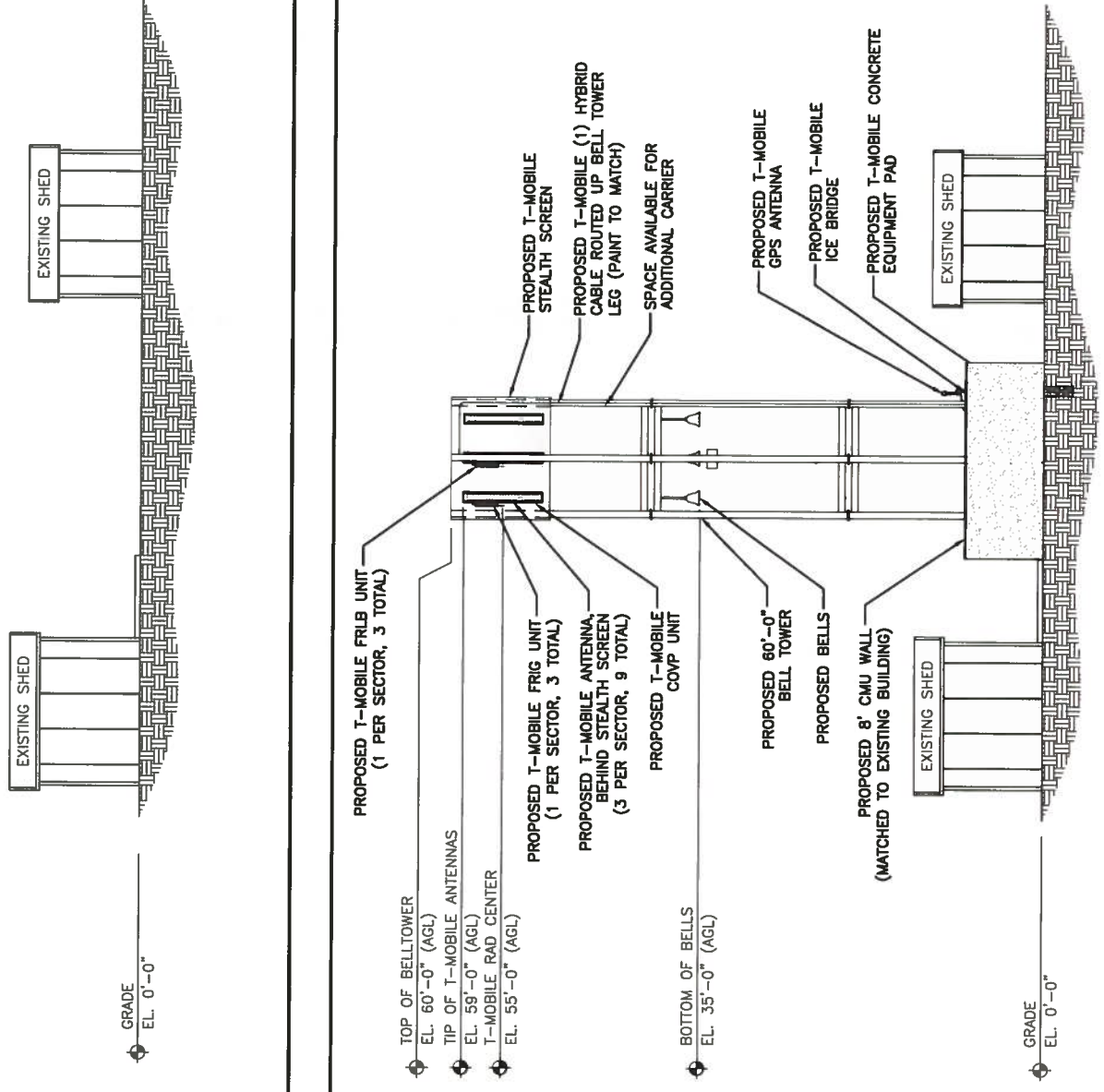
EXISTING SOUTH ELEVATION



SCALE: 1/8" = 1'-0" (24x36)
(OR) 1/16" = 1'-0" (11x17)

NOTE:
1. STRUCTURAL ANALYSIS MUST BE PERFORMED ON ALL ROOFTOPS, FLAGPOLES, LIGHT POLES, AND TOWER SITES BEFORE INSTALLATION OF NEW ANTENNAS, RADIO UNITS, ETC.
2. ALL PROPOSED EQUIPMENT TO BE PAINTED TO MATCH PROPOSED BELL TOWER.

PROPOSED SOUTH ELEVATION



SCALE: 1/8" = 1'-0" (24x36)
(OR) 1/16" = 1'-0" (11x17)

NOTE:
1. STRUCTURAL ANALYSIS MUST BE PERFORMED ON ALL ROOFTOPS, FLAGPOLES, LIGHT POLES, AND TOWER SITES BEFORE INSTALLATION OF NEW ANTENNAS, RADIO UNITS, ETC.
2. ALL PROPOSED EQUIPMENT TO BE PAINTED TO MATCH PROPOSED BELL TOWER.

FIGURE 1



T-MOBILE WEST, LLC
2323 DELGANY STREET
DENVER, CO 80216



POWDER RIVER
Engineering Services, LLC
www.powderriverdev.com

REVISIONS		INT	N/A
REV	DATE	DESCRIPTION	
B	06/13/16	ISSUED FOR REVIEW 90%	JE
A	05/10/16	ISSUED FOR REVIEW 90%	JE

THESE PLANS AND SPECIFICATIONS, AS INSTRUMENTS OF SERVICE, ARE PREPARED BY THE ENGINEER AND CONTRACTOR AND ARE NOT TO BE USED FOR ANY OTHER PROJECTS WITHOUT THE WRITTEN CONSENT OF THE ENGINEER.

SITE INFORMATION

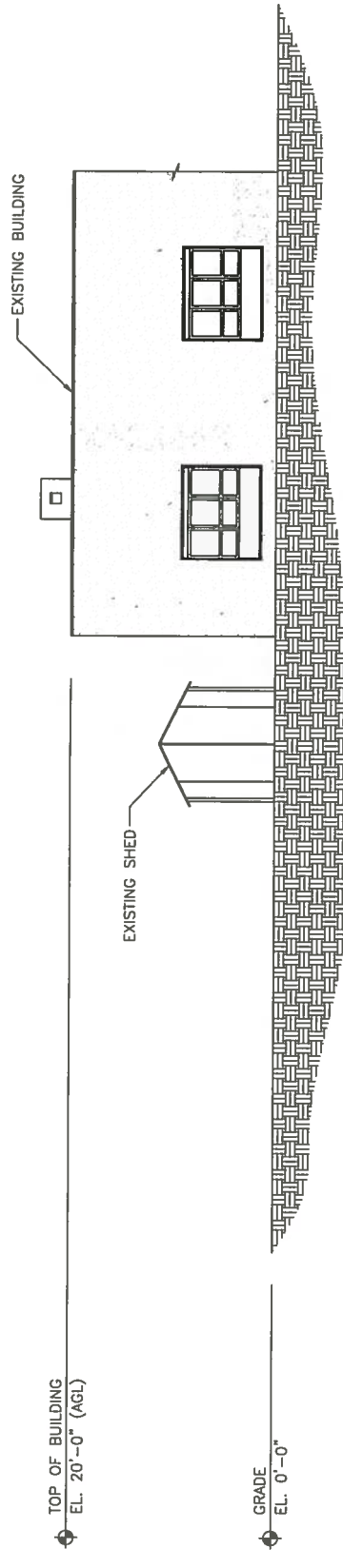
DN04163B
SW SPRINGS
2520 ARLINGTON DR.
COLORADO SPRINGS, CO
80910

SHEET TITLE:
TOWER
ELEVATIONS

SHEET NUMBER:

C-8

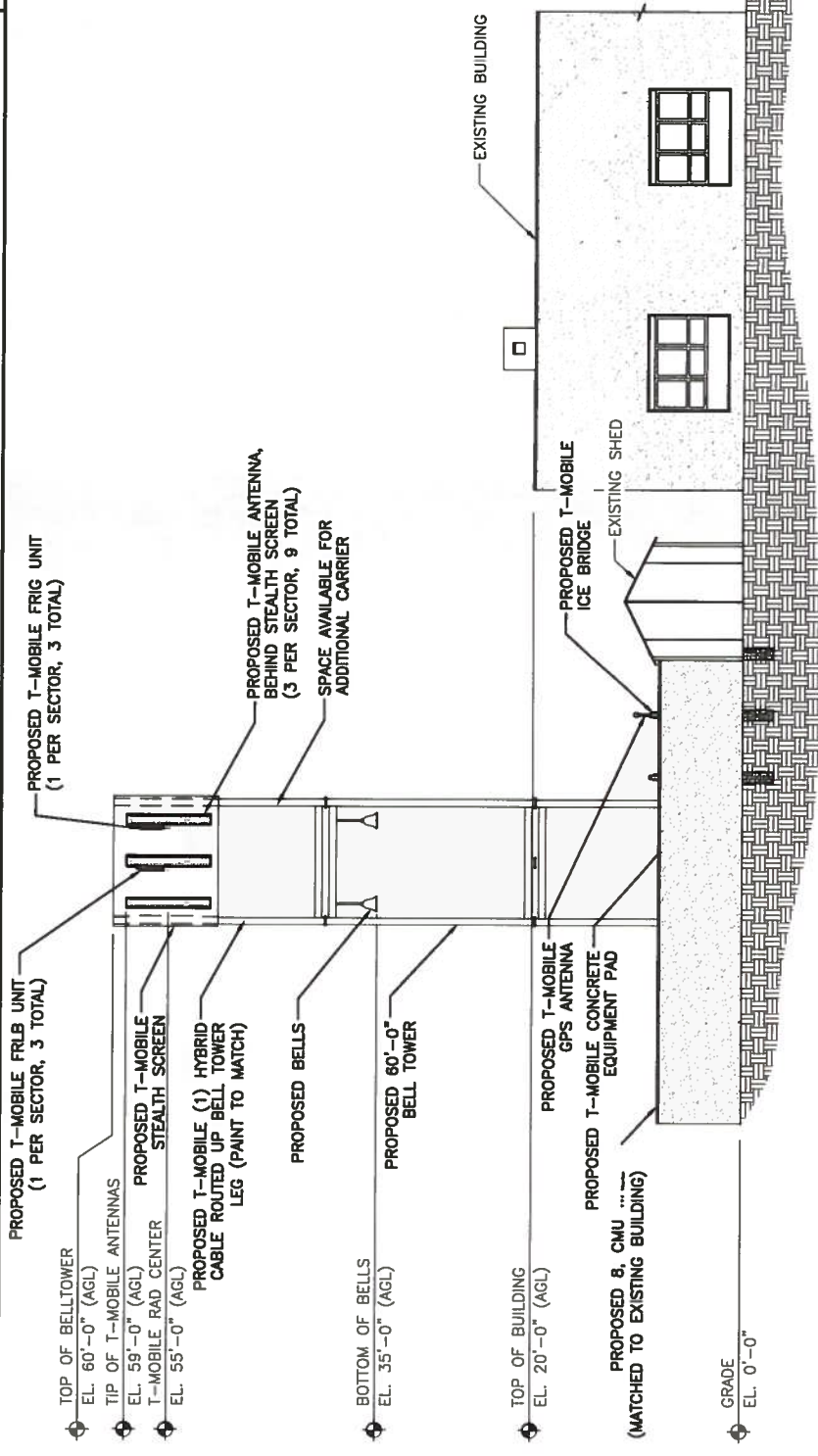
CPC CM1 15-00070



EXISTING WEST ELEVATION

SCALE: 1/8" = 1'-0" (24x36)	1
(OR) 1/16" = 1'-0" (11x17)	

NOTE:
1. STRUCTURAL ANALYSIS MUST BE PERFORMED ON ALL ROOFTOPS, FLAGPOLES, LIGHT POLES, AND TOWER SITES BEFORE INSTALLATION OF NEW ANTENNAS, RADIO UNITS, ETC.
2. ALL PROPOSED EQUIPMENT TO BE PAINTED TO MATCH PROPOSED BELL TOWER.



PROPOSED WEST ELEVATION

SCALE: 1/8" = 1'-0" (24x36)	2
(OR) 1/16" = 1'-0" (11x17)	

FIGURE 1

T-Mobile

T-MOBILE WEST, LLC
2323 DELCANY STREET
DENVER, CO 80216



POWDER RIVER
Engineering Services, LLC
www.powderriverdev.com

LICENSE #:	N/A		
REVISIONS			
REV	DATE	DESCRIPTION	INT
B	06/13/16	ISSUED FOR REVIEW 80%	JE
A	05/10/16	ISSUED FOR REVIEW 80%	JE

THIS PLAN AND SPECIFICATIONS ARE HEREBY GIVEN AS A GUIDE ONLY. THE USER SHALL REMAIN THE PROPERTY OF POWDER RIVER DEVELOPMENT SERVICES, LLC. WHETHER THE PRODUCTS FOR WHICH THEY ARE MADE SHALL BE USED BY ANY PERSON OR ENTITY OR OTHER PRODUCTS WITHOUT WRITTEN CONSENT OF THE ENGINEER.

SITE INFORMATION

DN04163B
SW SPRINGS
2520 ARLINGTON DR.
COLORADO SPRINGS, CO
80910

SHEET TITLE:
PHOTOSIMS

SHEET NUMBER:
C-9
CPC CM1 16-00070

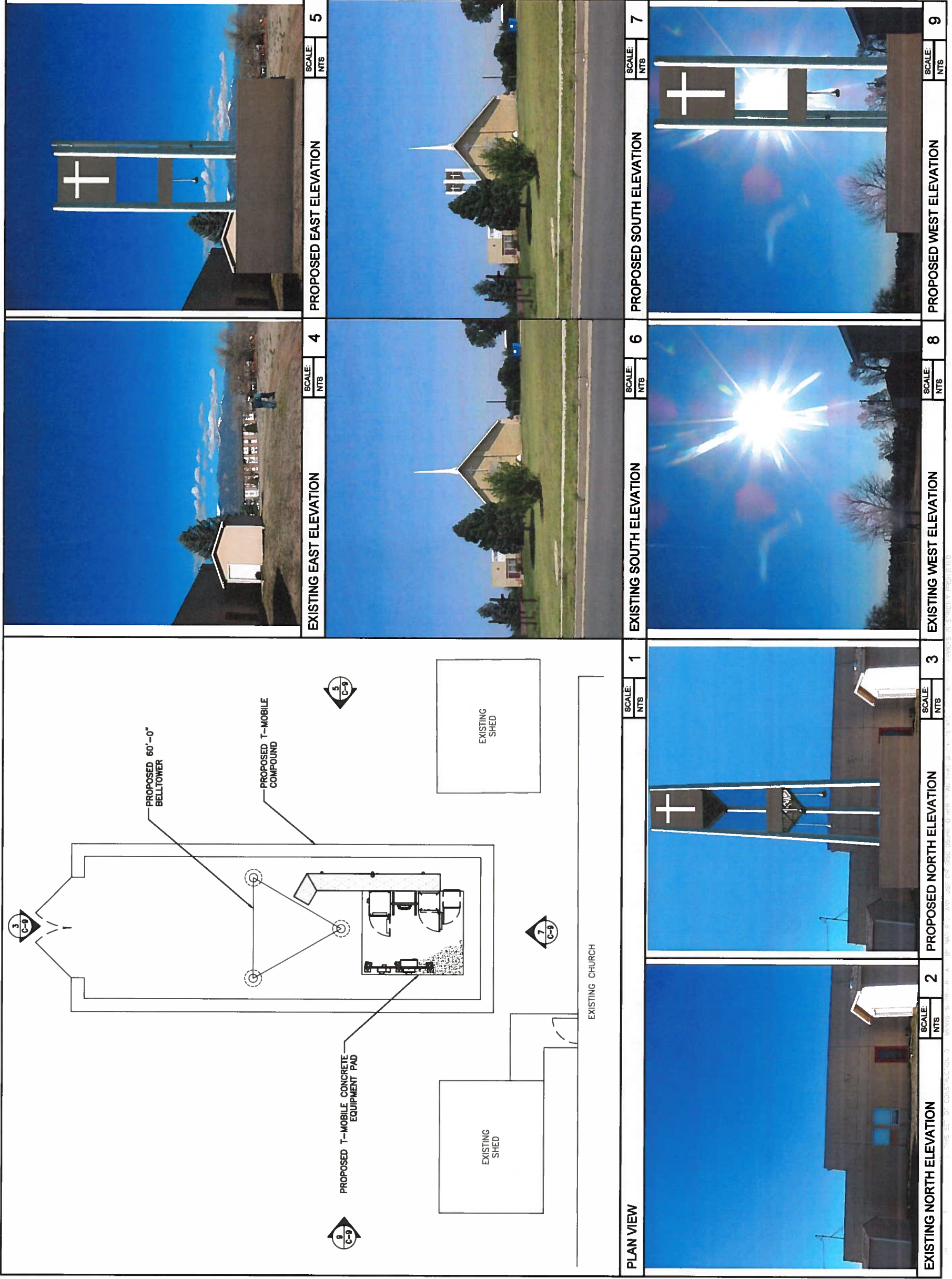
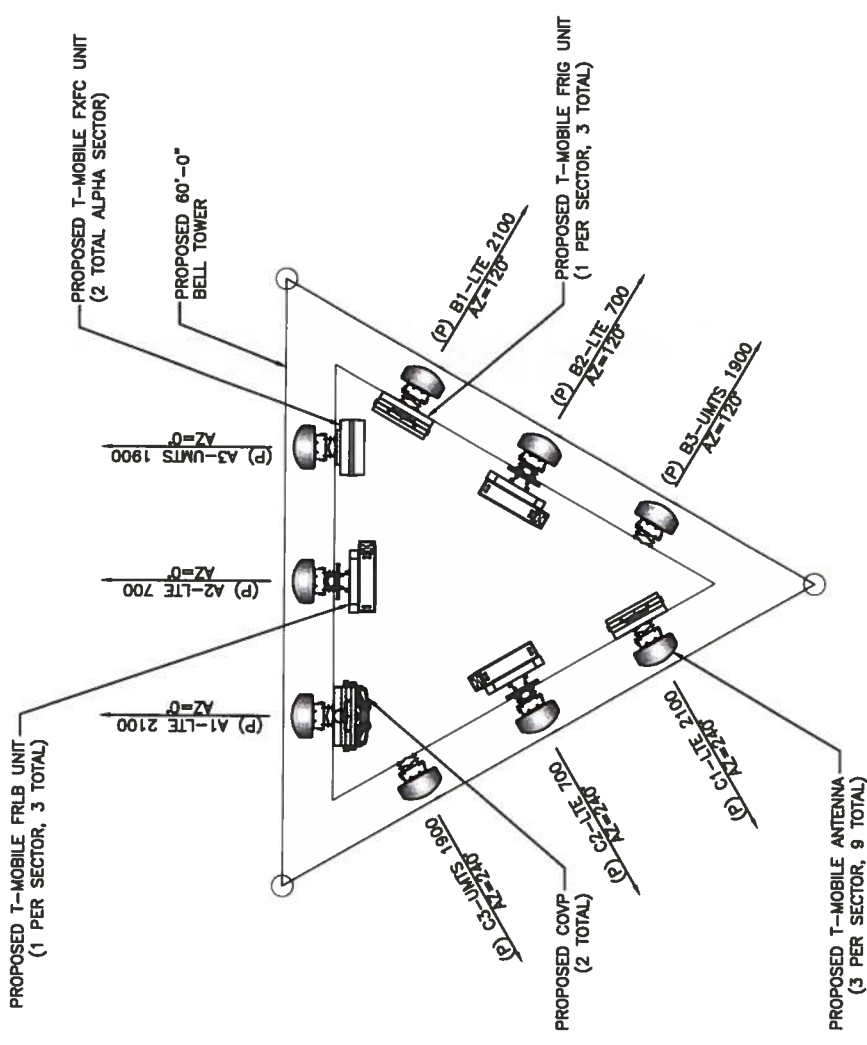


FIGURE 1

NOTE:
 1. STRUCTURAL ANALYSIS MUST BE PERFORMED ON ALL ROOFTOPS, FLAGPOLES, LIGHT POLES, AND TOWER SITES BEFORE INSTALLATION OF NEW ANTENNAS, RADIO UNITS, ETC.
 2. ALL PROPOSED EQUIPMENT TO BE PAINTED TO MATCH PROPOSED BELL TOWER.

SECTOR	POS.	TECHNOLOGY	ANTENNA			MECH. TILT	ELECT. TILT
			AZM.	C.L.	MANUFACTURER - MODEL #		
ALPHA	A1	LTE 2100			ANDREW - TMBXX-6517-A2M	0'	1'
	A2	LTE 700	0'	55'-0"	ANDREW - LNX-6515DS-A1M	0'	4'
	A3	UMTS 1900			ANDREW - TMBXX-6517-A2M	0'	1'
BETA	B1	LTE 2100			ANDREW - TMBXX-6517-A2M	0'	4'
	B2	LTE 700	120'	55'-0"	ANDREW - LNX-6515DS-A1M	0'	3'
	B3	UMTS 1900			ANDREW - TMBXX-6517-A2M	0'	4'
GAMMA	C1	LTE 2100			ANDREW - TMBXX-6517-A2M	0'	5'
	C2	LTE 700	240'	55'-0"	ANDREW - LNX-6515DS-A1M	0'	4'
	C3	UMTS 1900			ANDREW - TMBXX-6517-A2M	0'	5'



<p>T-MOBILE WEST, LLC 2323 DELGANY STREET DENVER, CO 80216</p>	<p>POWDER RIVER Engineering Services, LLC www.powderriverdev.com</p>	LICENSE #: N/A	<table border="1"> <thead> <tr> <th>REV</th> <th>DATE</th> <th>DESCRIPTION</th> <th>INT</th> </tr> </thead> <tbody> <tr> <td></td> <td></td> <td></td> <td></td> </tr> <tr> <td></td> <td></td> <td></td> <td></td> </tr> <tr> <td></td> <td></td> <td></td> <td></td> </tr> <tr> <td>B</td> <td>06/13/16</td> <td>ISSUED FOR REVIEW 90%</td> <td>JE</td> </tr> <tr> <td>A</td> <td>05/10/16</td> <td>ISSUED FOR REVIEW 90%</td> <td>JE</td> </tr> </tbody> </table>	REV	DATE	DESCRIPTION	INT													B	06/13/16	ISSUED FOR REVIEW 90%	JE	A	05/10/16	ISSUED FOR REVIEW 90%	JE	<p>THESE PLANS AND SPECIFICATIONS, AS INSTRUMENTS OF SERVICE, ARE THE PROPERTY OF POWDER RIVER ENGINEERING SERVICES, LLC. ANY REUSE OR REPRODUCTION OF THESE PLANS OR SPECIFICATIONS WITHOUT WRITTEN CONSENT OF THE ENGINEER IS STRICTLY PROHIBITED.</p>	SITE INFORMATION DN04163B SW SPRINGS 2520 ARLINGTON DR. COLORADO SPRINGS, CO 80910	SHEET TITLE: PROPOSED ANTENNA PLAN SHEET NUMBER: C-10 CFC_CM1_16-00070
REV	DATE	DESCRIPTION	INT																											
B	06/13/16	ISSUED FOR REVIEW 90%	JE																											
A	05/10/16	ISSUED FOR REVIEW 90%	JE																											

FIGURE 1

REV	DATE	DESCRIPTION	INT
B	06/13/16	ISSUED FOR REVIEW 90%	JE
A	05/10/16	ISSUED FOR REVIEW 90%	JE

THIS PLAN AND SPECIFICATIONS, AS INSTRUMENTS OF SERVICE, ARE MADE SOLELY FOR THE PROJECTS FOR WHICH THEY ARE MADE. ANY REUSE OF THIS PLAN OR SPECIFICATIONS FOR OTHER PROJECTS SHALL BE AT THE USER'S RISK AND WITHOUT THE LIABILITY OF THE ENGINEER.

SITE INFORMATION

DN04163B
SW SPRINGS
2520 ARLINGTON DR.
COLORADO SPRINGS, CO
80910

SHEET TITLE:
RFDS DATA
CONFIG. SHEET

SHEET NUMBER:

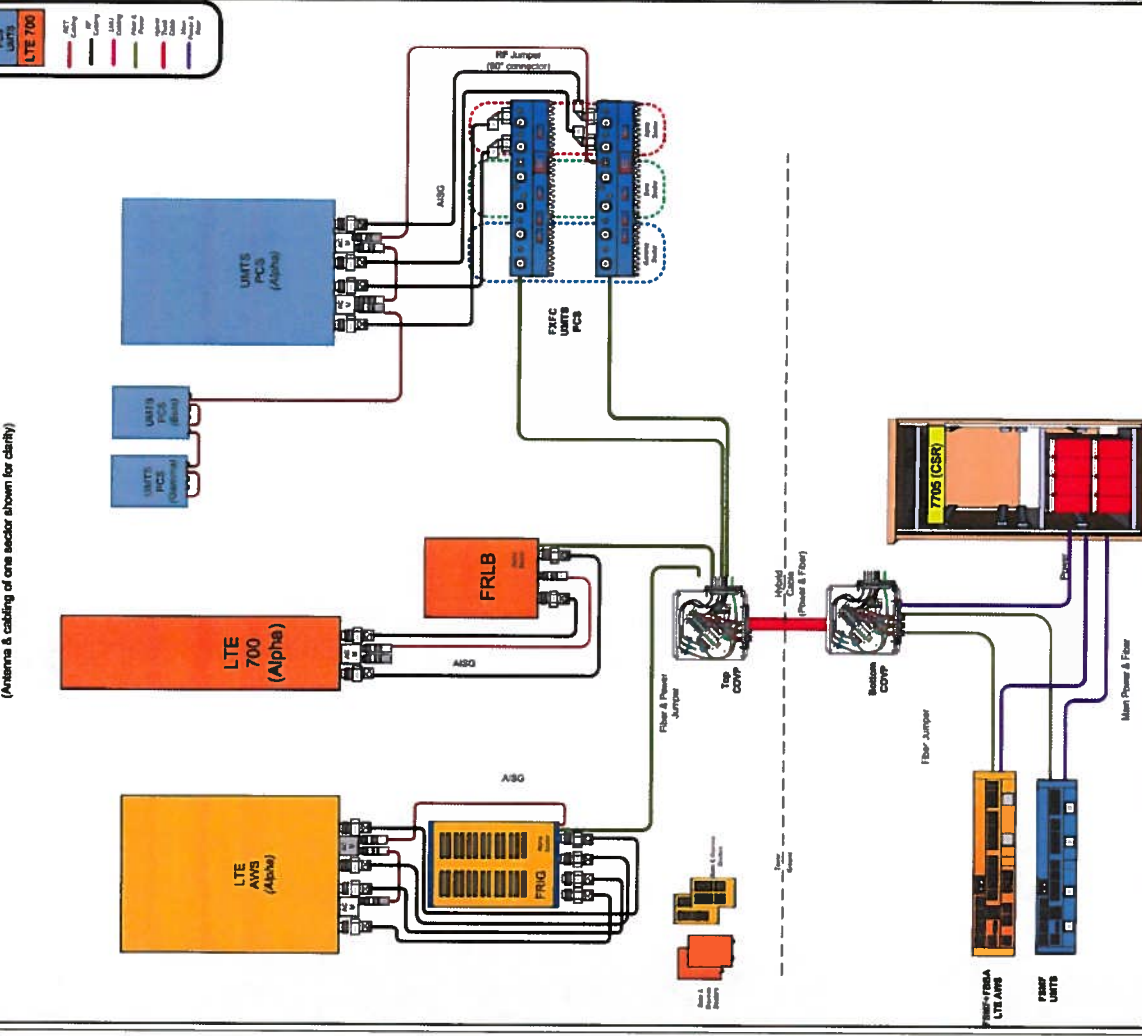
C-11

CPC_CM1_16-00070

Section 3 - Proposed Template Images

Configuration 701G_RUN.jpg

Configuration 701G RUN
(Antenna & cabling of one sector shown for clarity)



RAN Template: 701G Rxx		AL Template: 701G_RUN	
Sector Count: 3	Antenna Count: 9	Line Count: 0	TMA Count: 0
RRU Count: 8			

RAN Template: 701G Rxx		AL Template: 701G_RUN	
<p>Section 1 - Site Information</p> <p>Site ID: DN04163B Status: Initial Version: 1 Project Type: Infill/ROB/Greenfield Last Modified: 2/26/2016 2:05:54 PM Last Modified By: GSM1800RCent2</p> <p>Site Class: 3G Repeater Site Type: Structure Non Build Solution Type: Plan Year: Market: Denver CO Vendor: NSN</p> <p>Latitude: 39.80914445 Longitude: -104.77890001 Address: 2520 Arlington Dr City, State: Colorado Springs, CO Region: Central</p>			

Section 5 - RAN Equipment		Existing RAN Equipment	
<p>----- This section is intentionally blank. -----</p>			
Proposed RAN Equipment		Template: 701G Rxx	
Enclosure	Generic Cabinet	1	4
Enclosure Type	FSMF L2100, U1800, L700	2	
Baseband	FSMF L2100, U1800, L700	3	
Hybrid Cable System	NSN Low Cap HCS *Select Length*		
Junction Box	Large COVP		
Power subsystem	Large COVP		
Radio	FSMF L2100, U1800, L700; FRLB (x2) L700; FRC (x3) L2100		
	Rectifier Shelf *Select size*, CSR 7705 *Select model*, Breakers *Select size*, Batteries *Select size*		
	Generic Site Support Cabinet		

FIGURE 1

RAM Template:
701G Rxx

DN04163B_1_Infill/ROB/Greenfield

A&L Template:
701G_RUN

DN04163B_1_Infill/ROB/Greenfield

Section 6 - A&L Equipment

Existing Template: Custom
Proposed Template: 701G_RUN

Sector 1 (Proposed) view from front (Note: the images show view from behind)

Coverage Type	Antenna	Antenna Model	Azimuth	M. Tilt	Height	Ports	Tech.	E. Tilt	Cables	TMMs	Diplexers / Combiners	Radio	Sector Equipment
A - Outdoor Macro	1												
		TMBOX-6517-A2M (Quad)		0	0	55	L2100	1					
		LNK-6515DS-A1M (Dual)		0	0	55	L700	4					
A - Outdoor Macro	2												
		TMBOX-6517-A2M (Quad)		0	0	55	L2100	1					
		LNK-6515DS-A1M (Dual)		0	0	55	L700	4					
A - Outdoor Macro	3												
		TMBOX-6517-A2M (Quad)		0	0	55	L2100	1					
		LNK-6515DS-A1M (Dual)		0	0	55	L700	4					
Unconnected Equipment:													
Scope of Work:													

RAM Template:
701G Rxx

DN04163B_1_Infill/ROB/Greenfield

A&L Template:
701G_RUN

DN04163B_1_Infill/ROB/Greenfield

Section 2 (Proposed) view from front (Note: the images show view from behind)

Existing Template: Custom
Proposed Template: 701G_RUN

Coverage Type	Antenna	Antenna Model	Azimuth	M. Tilt	Height	Ports	Tech.	E. Tilt	Cables	TMMs	Diplexers / Combiners	Radio	Sector Equipment
A - Outdoor Macro	1												
		TMBOX-6517-A2M (Quad)		0	0	55	L2100	1					
		LNK-6515DS-A1M (Dual)		0	0	55	L700	4					
A - Outdoor Macro	2												
		TMBOX-6517-A2M (Quad)		0	0	55	L2100	1					
		LNK-6515DS-A1M (Dual)		0	0	55	L700	4					
A - Outdoor Macro	3												
		TMBOX-6517-A2M (Quad)		0	0	55	L2100	1					
		LNK-6515DS-A1M (Dual)		0	0	55	L700	4					
Unconnected Equipment:													
Scope of Work:													

RAM Template:
701G Rxx

DN04163B_1_Infill/ROB/Greenfield

A&L Template:
701G_RUN

DN04163B_1_Infill/ROB/Greenfield

Sector 3 (Proposed) view from front (Note: the images show view from behind)

Existing Template: Custom
Proposed Template: 701G_RUN

Coverage Type	Antenna	Antenna Model	Azimuth	M. Tilt	Height	Ports	Tech.	E. Tilt	Cables	TMMs	Diplexers / Combiners	Radio	Sector Equipment
A - Outdoor Macro	1												
		TMBOX-6517-A2M (Quad)		0	0	55	L2100	1					
		LNK-6515DS-A1M (Dual)		0	0	55	L700	4					
A - Outdoor Macro	2												
		TMBOX-6517-A2M (Quad)		0	0	55	L2100	1					
		LNK-6515DS-A1M (Dual)		0	0	55	L700	4					
A - Outdoor Macro	3												
		TMBOX-6517-A2M (Quad)		0	0	55	L2100	1					
		LNK-6515DS-A1M (Dual)		0	0	55	L700	4					
Unconnected Equipment:													
Scope of Work:													



T-MOBILE WEST, LLC
2325 DELGANY STREET
DENVER, CO 80216



POWDER RIVER
Engineering Services, LLC
www.powderriverdev.com

LICENSE #: N/A

REV	DATE	DESCRIPTION	INT

B	06/13/16	ISSUED FOR REVIEW 90%	JE
A	05/10/16	ISSUED FOR REVIEW 90%	JE

THIS PLAN AND SPECIFICATIONS, AS INSTRUMENTS OF SERVICE, ARE THE PROPERTY OF POWDER RIVER ENGINEERING SERVICES, LLC. NO PART OF THIS PLAN OR SPECIFICATIONS SHALL BE REPRODUCED, COPIED, OR TRANSMITTED IN ANY FORM OR BY ANY MEANS, WITHOUT PRIOR WRITTEN CONSENT OF THE ENGINEER.

SITE INFORMATION

DN04163B
SW SPRINGS
2520 ARLINGTON DR.
COLORADO SPRINGS, CO
80910

SHEET TITLE:
RFDS DATA
CONFIG. SHEET

SHEET NUMBER:
C-12
CPC CM1 16-00070

FIGURE 1



T-MOBILE WEST, LLC
2323 DELCANY STREET
DENVER, CO 80216



POWDER RIVER
Engineering Services, LLC
www.powderriverdev.com

LICENSE #:	N/A		
REV	DATE	DESCRIPTION	INT
B	06/13/16	ISSUED FOR REVIEW	00K
A	05/10/16	ISSUED FOR REVIEW	00K
			JE

THIS PLAN AND ANY INFORMATION CONTAINED HEREIN IS THE PROPERTY OF POWDER RIVER ENGINEERING SERVICES, LLC. IT IS TO BE USED ONLY FOR THE PROJECT AND SITE SPECIFICALLY IDENTIFIED HEREIN. IT IS NOT TO BE REPRODUCED, COPIED, OR TRANSMITTED IN ANY FORM OR BY ANY MEANS, WITHOUT THE WRITTEN CONSENT OF THE ENGINEER.

SITE INFORMATION

DN04163B
SW SPRINGS
2520 ARLINGTON DR.
COLORADO SPRINGS, CO
80910

SHEET TITLE:
ANTENNA & HYBRID CABLE SCHEDULE

SHEET NUMBER:
C-13
GPC CM1 16-00070

ANTENNA KEY AND HYBRID CABLE SCHEDULE

ANTENNA MARK	STATUS	TECH	ANTENNA MODEL	ANTENNA MFG.	PROPOSED AZIMUTH	MECHANICAL DOWNHILL	ELECTRICAL DOWNHILL	RADIATION CENTER	SECTOR	CONNECTOR	ANTENNA DIMENSIONS (HxWxD)	TOTAL WEIGHT	HYBRID CABLE MFG.	HYBRID CABLE SIZE	HYBRID CABLE LENGTH	FINAL HYBRID CABLE COUNT
A1	PROPOSED	LTE 2100	TMBXX 6517-A2M	ANDREW	0°	0'	1'	55'-0"	Tx1/Rx	7/16" DIN	82.9"x6.6"x3.3"	55.0 LBS.	NSN	1.24" (O.D.)	75'	1
A2	PROPOSED	LTE 700	LNx-6515DS-A1M	ANDREW	0°	0'	4'	55'-0"	Tx1/Rx	7/16" DIN	96.4"x11.9"x7.1"	49.8 LBS.	SHARED	SHARED	SHARED	SHARED
A3	PROPOSED	UMTS 1900	TMBXX 6517-A2M	ANDREW	0°	0'	1'	55'-0"	Tx1/Rx	7/16" DIN	82.9"x6.6"x3.3"	55.0 LBS.	SHARED	SHARED	SHARED	SHARED
B1	PROPOSED	LTE 2100	TMBXX 6517-A2M	ANDREW	120°	0'	4'	55'-0"	Tx1/Rx	7/16" DIN	82.9"x6.6"x3.3"	55.0 LBS.	SHARED	SHARED	SHARED	SHARED
B2	PROPOSED	LTE 700	LNx-6515DS-A1M	ANDREW	120°	0'	3'	55'-0"	Tx1/Rx	7/16" DIN	96.4"x11.9"x7.1"	49.8 LBS.	SHARED	SHARED	SHARED	SHARED
B3	PROPOSED	UMTS 1900	TMBXX 6517-A2M	ANDREW	120°	0'	4'	55'-0"	Tx1/Rx	7/16" DIN	82.9"x6.6"x3.3"	55.0 LBS.	SHARED	SHARED	SHARED	SHARED
C1	PROPOSED	LTE 2100	TMBXX 6517-A2M	ANDREW	240°	0'	5'	55'-0"	Tx1/Rx	7/16" DIN	82.9"x6.6"x3.3"	55.0 LBS.	SHARED	SHARED	SHARED	SHARED
C2	PROPOSED	LTE 700	LNx-6515DS-A1M	ANDREW	240°	0'	4'	55'-0"	Tx1/Rx	7/16" DIN	96.4"x11.9"x7.1"	49.8 LBS.	SHARED	SHARED	SHARED	SHARED
C3	PROPOSED	UMTS 1900	TMBXX 6517-A2M	ANDREW	240°	0'	5'	55'-0"	Tx1/Rx	7/16" DIN	82.9"x6.6"x3.3"	55.0 LBS.	SHARED	SHARED	SHARED	SHARED

TMA AND OVP SCHEDULE

EQUIPMENT	STATUS	PART NUMBER	VENDOR	QTY PER SECTOR	DIMENSIONS (HxWxD)	WEIGHT	TOTAL
FSMF UMTS	PROPOSED	FSMF UMTS	NOKIA	SHARED	5.25"x17.5"x22"	33 LBS.	1 AT EQUIPMENT LEVEL
FSMF LTE	PROPOSED	FSMF+FBBA LTE AWS	NOKIA	SHARED	5.25"x17.5"x22"	33 LBS.	1 AT EQUIPMENT LEVEL
COVP	PROPOSED	COVP	NOKIA	SHARED	20.38"x18.86"x5.83"	19 LBS.	1 AT ANTENNA LEVEL
FRIG	PROPOSED	FRIG	NOKIA	1	30.0"x17.2"x7.6"	57 LBS.	3 AT ANTENNA LEVEL
FRLB	PROPOSED	FRLB	NOKIA	1	19.3"x22"x5.25"	11 LBS.	3 AT ANTENNA LEVEL
FXFC	PROPOSED	FXFC	NOKIA	SHARED	19.3"x22"x5.25"	13 LBS.	2 AT ANTENNA LEVEL/ALPHA
COVP	PROPOSED	COVP	NOKIA	SHARED	20.38"x18.86"x5.83"	19 LBS.	1 AT ANTENNA LEVEL

COAX BEND TABLE

TYPICAL CABLE SIZES	ANDREW CATALOG NUMBER	HANGER NUMBER	MINIMUM BEND RADIUS	CABLE TO CLEAR SPACING	MAXIMUM VERTICAL SPACING	HORIZONTAL HANGER SPACING	MAXIMUM HORIZONTAL HANGER SPACING
1/2"	LDF4-50A	206706-1	5"	1/2"	4'-0"	4'-0"	4'-0"
7/8"	LDF5-50A	206706-2	10"	1/2"	4'-0"	4'-0"	4'-0"
7/8"	AV45-50	206706-2	10"	1/2"	4'-0"	4'-0"	4'-0"
1-1/4"	LDF6-50A	206706-3	15"	1/2"	4'-0"	4'-0"	4'-0"
1-5/8"	LDF7-50A	206706-4	20"	1/2"	4'-0"	4'-0"	4'-0"
1-5/8"	AV47-50A	206706-4	20"	1/2"	4'-0"	4'-0"	4'-0"
1/2"	FSJ4-50B	206706-1	1-1/4"	1/2"	4'-0"	4'-0"	4'-0"

ANTENNA NOTES

- ANTENNA CONTRACTOR SHALL INSURE THAT ALL ANTENNA MOUNTING PIPES ARE PLUMB.
- COAXIAL FEEDER & FIBER LENGTHS INDICATED ARE APPROXIMATE.
- ANTENNA COAXIAL FEEDERS & ANTENNA JUMPERS SHALL BE COLOR CODED PER T-MOBILE REQUIREMENTS.
- LINE 5 & 6 TO HAVE TMA MOUNTED ON PIPE BEHIND ANTENNA.
- MULTI PORT ANTENNAS: TERMINATE UNUSED ANTENNA PORTS WITH CONNECTOR CAP & WEATHERPROOF THOROUGHLY. JUMPERS FROM TMA'S MUST TERMINATE TO OPPOSITE POLARIZATIONS IN EACH SECTOR.
- CONTRACTOR MUST FOLLOW ALL MANUFACTURER'S RECOMMENDATIONS REGARDING THE INSTALLATION OF COAXIAL CABLES, CONNECTORS, AND ANTENNAS.
- MINIMUM BEND RADIUS:
LDF4-50A (1/2" HARD LINE) = 5"
FSJ4-50B (1/2" SUPER FLEX) = 1-1/4"
AV45-50A (7/8" HARD LINE) = 10"
AV47-50A (1-5/8" HARD LINE) = 15"
LDF7-50A (1-5/8" HARD LINE) = 20"
- CONTRACTOR SHALL RECORD THE SERIAL #, SECTOR, AND POSITION OF EACH ACTUATOR INSTALLED AT THE ANTENNAS AND FURNISH THE INFORMATION TO T-MOBILE.
- AMALGAMATING TAPE.
- ANTENNA CONTRACTOR SHALL PERFORM A "TAPE DROP" MEASUREMENT TO CONFIRM/VALIDATE ANTENNA CENTER LINE (ACL) HEIGHT. CONTRACTOR SHALL SUBMIT A COMPLETED HEIGHT VERIFICATION FORM TO THE CONSTRUCTION MANAGER.
- ALL FIBER RUNS TO BE CONTAINED IN ONE COMMSCOPE OVP MODEL #RFF-12MM-608-218-SPE (COLOR CODE COAX JUMPERS ONLY).

ANTENNA/FEEDER CABLE COLOR CODING CONVENTION

SECTOR	COLOR	ANTENNA	REFERENCE	FUNCTION
A	1 RED	A1	MAIN LTE	Tx1/Rx LTE MAIN
	2 RED	A1	SECONDARY LTE	Tx3/Rx LTE DIVERSITY
	3 RED	A1	MAIN LTE	Tx1/Rx LTE MAIN
	4 RED	A1	SECONDARY LTE	Tx3/Rx LTE DIVERSITY
	5 RED	A2	MAIN AWS/PCS	Tx1/Rx AWS/PCS MAIN
	6 RED	A2	SECONDARY AWS/PCS	Tx3/Rx AWS/PCS DIVERSITY
	7 RED	A3	MAIN GSM/UMTS	Tx1/Rx GSM MAIN
	8 RED	A3	SECONDARY GSM/UMTS	Tx3/Rx GSM DIVERSITY
	9 RED	A3	MAIN GSM/UMTS	Tx1/Rx GSM MAIN
	10 RED	A3	SECONDARY GSM/UMTS	Tx3/Rx GSM DIVERSITY
B	1 BLUE	B1	MAIN LTE	Tx1/Rx LTE MAIN
	2 BLUE	B1	SECONDARY LTE	Tx3/Rx LTE DIVERSITY
	3 BLUE	B1	MAIN LTE	Tx1/Rx LTE MAIN
	4 BLUE	B1	SECONDARY LTE	Tx3/Rx LTE DIVERSITY
	5 BLUE	B2	MAIN AWS/PCS	Tx1/Rx AWS/PCS MAIN
	6 BLUE	B2	SECONDARY AWS/PCS	Tx3/Rx AWS/PCS DIVERSITY
	7 BLUE	B3	MAIN GSM/UMTS	Tx1/Rx GSM MAIN
	8 BLUE	B3	SECONDARY GSM/UMTS	Tx3/Rx GSM DIVERSITY
	9 BLUE	B3	MAIN GSM/UMTS	Tx1/Rx GSM MAIN
	10 BLUE	B3	SECONDARY GSM/UMTS	Tx3/Rx GSM DIVERSITY
C	1 WHITE	C1	MAIN LTE	Tx1/Rx LTE MAIN
	2 WHITE	C1	SECONDARY LTE	Tx3/Rx LTE DIVERSITY
	3 WHITE	C1	MAIN LTE	Tx1/Rx LTE MAIN
	4 WHITE	C1	SECONDARY LTE	Tx3/Rx LTE DIVERSITY
	5 WHITE	C2	MAIN AWS/PCS	Tx1/Rx AWS/PCS MAIN
	6 WHITE	C2	SECONDARY AWS/PCS	Tx3/Rx AWS/PCS DIVERSITY
	7 WHITE	C3	MAIN GSM/UMTS	Tx1/Rx GSM MAIN
	8 WHITE	C3	SECONDARY GSM/UMTS	Tx3/Rx GSM DIVERSITY
	9 WHITE	C3	MAIN GSM/UMTS	Tx1/Rx GSM MAIN
	10 WHITE	C3	SECONDARY GSM/UMTS	Tx3/Rx GSM DIVERSITY

CONTRACTOR MUST PROVIDE EASY IDENTIFICATION AND UNIFORM MARKING OF ANTENNA CABLING, PER THE FOLLOWING INSTRUCTIONS:
1. LOCATION: MARKINGS SHALL BE MADE USING TAPE W/2" - 3 LAYERS THICK CUT NOT TORN STRANDS OF COVERAGE AFFIXED AT THREE PLACES ON THE COAX CABLE RUN AND NOT BE CONCEALED IN TOWER NOR BE INSTALLED ON WEATHERPROOFING AS FOLLOWS:
ALL COLOR CODING AT THE BASE OF THE TOWER AND AT GROUND LEVEL SHALL ONLY BE 3/4" WIDE. USE 2" WIDE TAPE ONLY ON LINES UP HIGH ON THE TOWER.
FIRST - ON THE COAX AT THE CONNECTOR NEAREST THE ANTENNA (WHERE THE COAX AND JUMPER ARE CONNECTED).
SECOND - AT THE BASE OF THE TOWER STRUCTURE. (FOR TOWERS ONLY).
THIRD - AT A POINT OUTSIDE THE BTS. (JUST PRIOR TO MGB).
2. SECTOR IDENTIFICATION: NORMALLY A SITE WILL HAVE UP TO THREE SECTORS. SECTORS SHALL BE DESIGNATED IN A CLOCKWISE MANNER: THE SECTOR IS CLOSEST TO ZERO DEGREES (NORTH), THE BAND C FOLLOW CLOCKWISE IN SEQUENCE.
A SECTOR COAX WILL BE MARKED MAIN 1 AND DIVERSITY 1. NORMALLY SITES WILL INITIALLY GO ON THE AIR WITH AS FEW AS TWO ANTENNAS PER SECTOR AND AS THE SYSTEM GROWS, ADDITIONAL ANTENNAS WILL BE ADDED.
B SECTOR COAX WILL BE MARKED MAIN 2 AND DIVERSITY 2.
C SECTOR COAX WILL BE MARKED MAIN 3 AND DIVERSITY 3.
D SECTOR COAX WILL BE MARKED MAIN 4 AND DIVERSITY 4.
COLOR CODE AS FOLLOWS:
A SECTOR - RED
B SECTOR - BLUE
C SECTOR - WHITE
D SECTOR - YELLOW
UMTS LINES - BAND OF GREEN AFTER ORIGINAL COLOR CODING
MAIN WILL BE MARKED WITH ONE BAND OF TAPE. DIVERSITY WILL BE MARKED WITH TWO BANDS OF TAPE. EXTRA WILL BE MARKED WITH THREE BANDS OF TAPE.
3. OMNI IDENTIFICATION: FOR OMNI SITES, WHICH NORMALLY CONSIST OF THREE ANTENNAS, IT IS SUGGESTED THAT THE ORIENTATION OF THE OBSERVER ALSO BE THAT OF LOOKING IN A NORTHERLY DIRECTION.

COAX CABLE IDENTIFICATION

ANTENNA AND COAX SCHEDULE

N.T.S. 1

FIGURE 1



T-MOBILE WEST, LLC
2323 DELGANY STREET
DENVER, CO 80216



POWDER RIVER
Engineering Services, LLC
www.powderriverdev.com

LICENSE #:	N/A		
REV	DATE	DESCRIPTION	INT
B	06/13/16	ISSUED FOR REVIEW 80%	JE
A	05/10/16	ISSUED FOR REVIEW 80%	JE

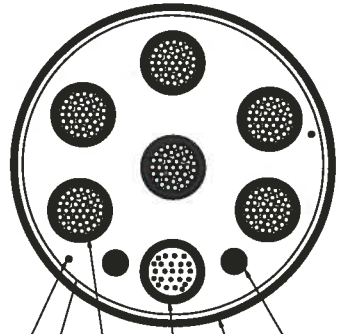
THESE PLANS AND SPECIFICATIONS ARE HEREBY MADE A PART OF THE CONTRACT. ANY CHANGES TO THESE PLANS AND SPECIFICATIONS SHALL BE MADE BY THE PROJECT ARCHITECT OR ENGINEER. THE PROJECT ARCHITECT OR ENGINEER SHALL BE RESPONSIBLE FOR THE ACCURACY OF THE INFORMATION PROVIDED HEREIN. THE PROJECT ARCHITECT OR ENGINEER SHALL BE RESPONSIBLE FOR THE ACCURACY OF THE INFORMATION PROVIDED HEREIN. THE PROJECT ARCHITECT OR ENGINEER SHALL BE RESPONSIBLE FOR THE ACCURACY OF THE INFORMATION PROVIDED HEREIN.

SITE INFORMATION

DN04163B
SW SPRINGS
2520 ARLINGTON DR.
COLORADO SPRINGS, CO
80910

SHEET TITLE:
HYBRID CABLE
DETAILS

SHEET NUMBER:
C-14
CPC CM1 16-00070



RIP CORD X 2
CORRUGATED COPPER ARMOR
6 AWG COPPER CONDUCTOR X 6
SINGLE MODE FIBER X 24
PVC OUTER JACKET
18 AWG COPPER CONDUCTOR X 2

CABLE TYPE	NUMBER, SIZE (AWG)	6/C #6 + 2/C #18
VOLTAGE		600
OUTER JACKET		PVC
SHIELDING		CORRUGATED COPPER
MAX SHIELD RESISTANCE (OHM/FT @ 20' C)		0.0035
DRAIN		N/A
RIPCORD		KEVLAR
DC CONDUCTOR MATERIAL		COPPER
DC CONDUCTOR SIZE (AWG)		6
MAX DC RESISTANCE (OHM/1000FT)		0.411 @ 20' C
COLOR CODE		BLACK/RED
ALARM CONDUCTOR MATERIAL		COPPER
ALARM CONDUCTOR SIZE (AWG)		18
MAX DC RESISTANCE (OHM/1000FT)		6.7
COLOR CODE		TBD
FIBER CABLES		SM
OUTER DIAMETER (IN) - NOMINAL		1.24
WEIGHT (LB/FT)		1.05
MINIMUM BEND RADIUS (IN)		15
BEND MOMENT (LB/FT)		N/A
TENSILE STRENGTH (LB)		325
CRUSH RESISTANCE, FOTP-41 (N/MM)		22
STRENGTH MEMBER		NO
OPERATING TEMPERATURE RANGE (LOW)		-40° C
OPERATING TEMPERATURE RANGE (HIGH)		80° C
FIBER TYPE		LOW WATER PEAK SINGLE MODE LOOSE TUBE
FIBER STANDARD COMPLIANCE		ITU-T REC. G.652.D, G.657.A2 IEC 60783-2-50 TYPE B.1.3 & TYPE B.6 A&B
FIBER COATING DIAMETER (um)		.242 +/- .007 OR .9 +/- .005 MM
FIBER COUNT		24
NUMBER OF FIBER SUBUNITS		1
FIBER COUNT EACH UNIT		24
FIBER OUTER JACKETS		FR JACKET
MAX ATTENUATION, 1310 NM (dB/Km)		LESS THAN/EQUAL TO 0.5
MAX ATTENUATION, 1550 NM (dB/Km)		LESS THAN/EQUAL TO 0.5

CABLE SPECIFICATIONS

SCALE: NTS

2

NOT USED

SCALE: NTS

1

FIGURE 1

LICENSE #: N/A

REV	DATE	DESCRIPTION	INT
B	06/13/16	ISSUED FOR REVIEW 90X	J/E
A	05/10/16	ISSUED FOR REVIEW 90X	J/E

THESE PLANS AND SPECIFICATIONS ARE THE PROPERTY OF POWDER RIVER ENGINEERING SERVICES, LLC AND SHALL REMAIN THE PROPERTY OF POWDER RIVER ENGINEERING SERVICES, LLC WHETHER THE PROJECTS FOR WHICH THEY ARE MADE ARE COMPLETED OR NOT. NO PART OF THESE PLANS OR SPECIFICATIONS SHALL BE USED BY ANY PERSON OR ENTITY OR OTHER PARTY WITHOUT THE WRITTEN CONSENT OF THE ENGINEER.

SITE INFORMATION

DN04163B
SW SPRINGS

2520 ARLINGTON DR.
COLORADO SPRINGS, CO
80910

SHEET TITLE:
**HYBRID CABLE
DETAILS**

SHEET NUMBER:
C-15
CPC CM1 16-00070

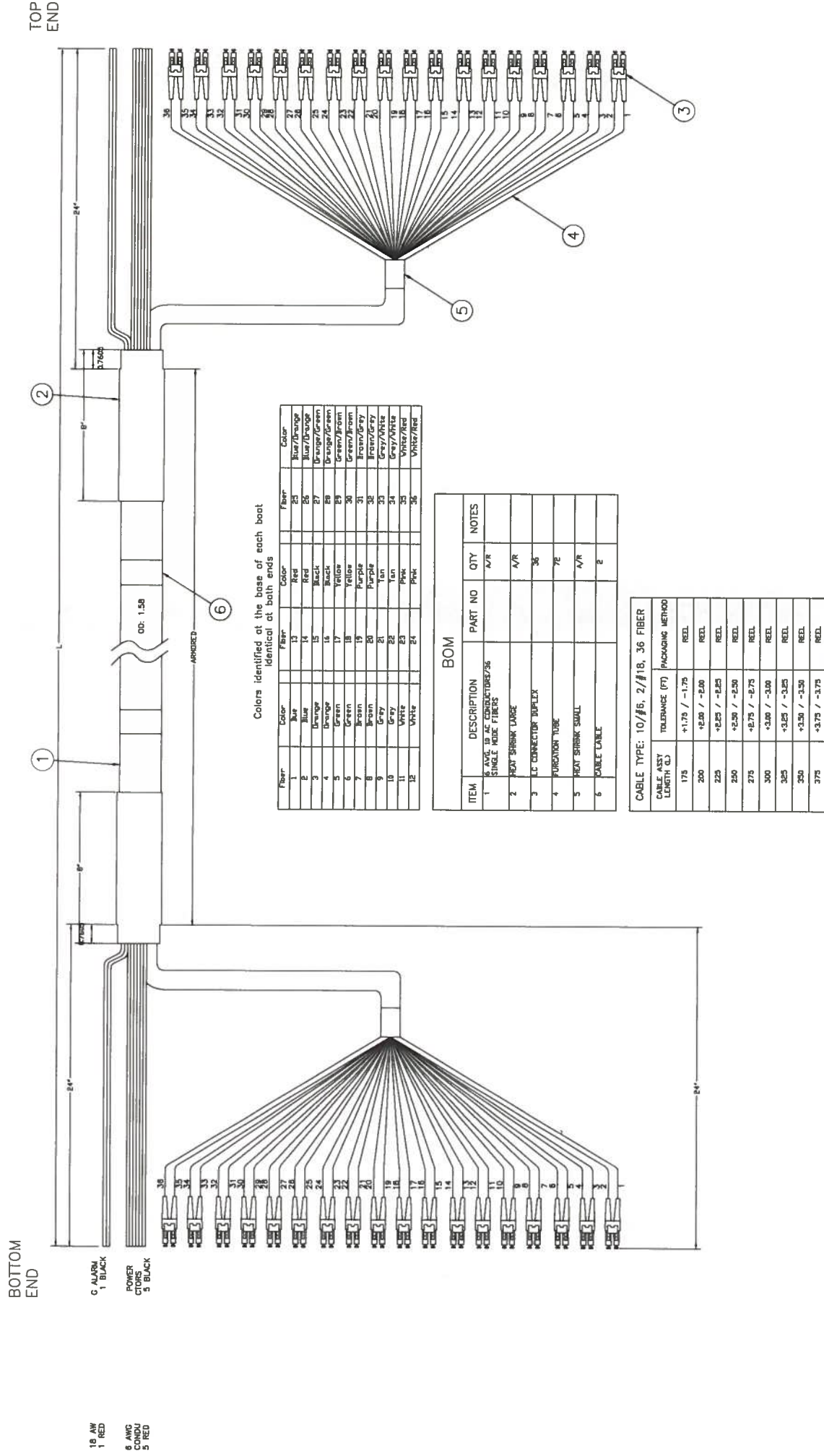


FIGURE 1

T-Mobile
 T-MOBILE WEST, LLC
 2323 DELGANY STREET
 DENVER, CO 80216

POWDER RIVER
 Engineering Services, LLC
 www.powderriverdev.com

LICENSE #: N/A

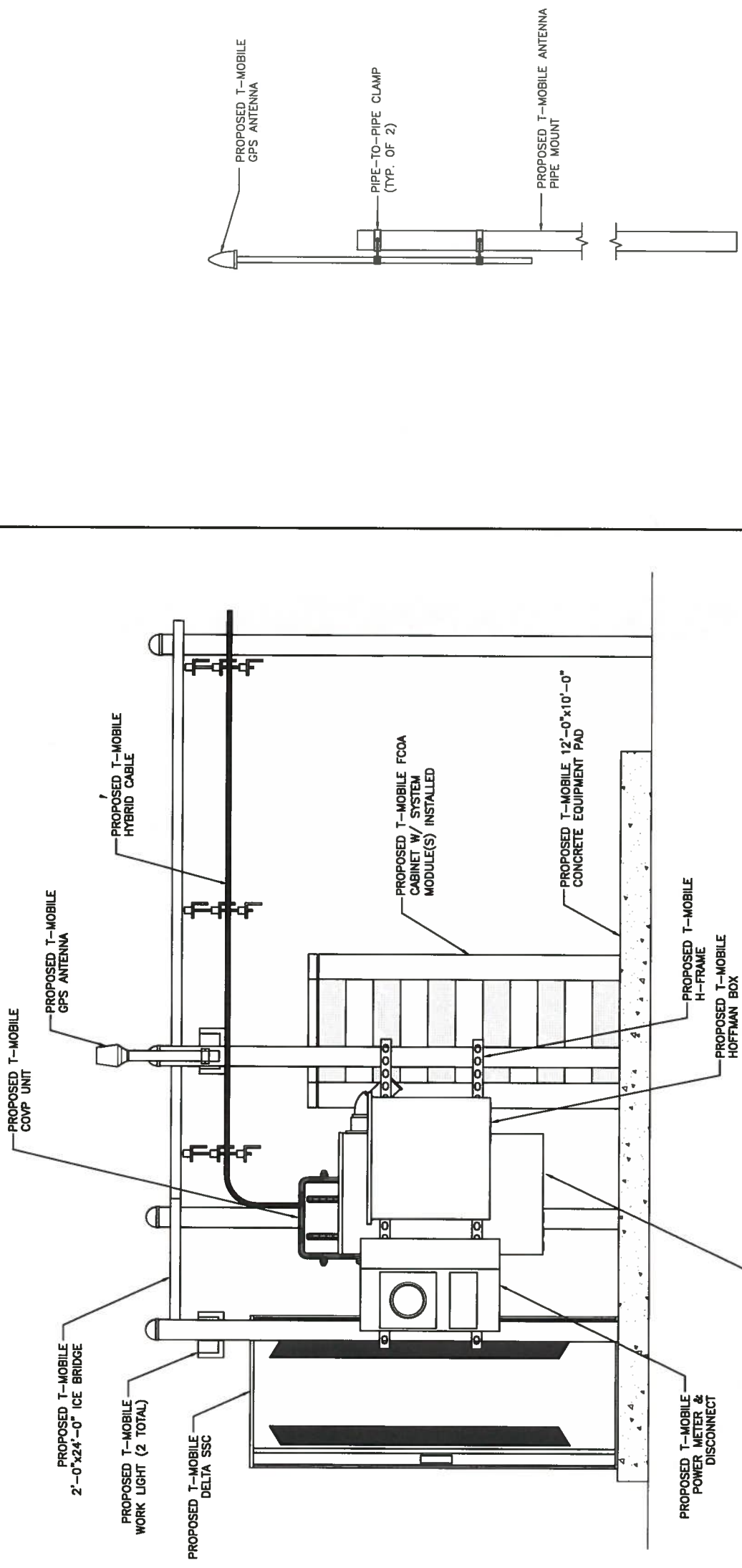
REV	DATE	DESCRIPTION	INT
B	06/13/16	ISSUED FOR REVIEW 90%	JE
A	05/10/16	ISSUED FOR REVIEW 90%	JE

THESE PLANS AND SPECIFICATIONS ARE INSTRUMENTS OF SERVICE AND SHALL REMAIN THE PROPERTY OF POWDER RIVER DEVELOPMENT. NO PART OF THESE INSTRUMENTS OR ANY INFORMATION CONTAINED HEREIN SHALL BE REPRODUCED OR TRANSMITTED IN ANY FORM OR BY ANY MEANS, ELECTRONIC OR MECHANICAL, INCLUDING PHOTOCOPYING, RECORDING, OR BY ANY INFORMATION STORAGE AND RETRIEVAL SYSTEM, WITHOUT PRIOR WRITTEN CONSENT OF THE DRAWER.

SITE INFORMATION
DN04163B
SW SPRINGS
 2520 ARLINGTON DR.
 COLORADO SPRINGS, CO
 80910

SHEET TITLE:
EQUIPMENT DETAILS
 SHEET NUMBER:
S-1
 CFC CM1 16-00070

SEE SHEET C-5 FOR MORE INFORMATION ON EQUIPMENT LAYOUT.



TYPICAL EQUIPMENT ELEVATION	N.T.S.	2	GPS DETAILS	N.T.S.	1
-----------------------------	--------	---	-------------	--------	---

FIGURE 1



T-MOBILE WEST, LLC
2323 DELGANY STREET
DENVER, CO 80216



POWDER RIVER
Engineering Services, LLC
www.powderriverdev.com

LICENSE #:		N/A
REVISIONS		
REV	DATE	DESCRIPTION
B	06/13/16	ISSUED FOR REVIEW 80%
A	05/10/16	ISSUED FOR REVIEW 80%
		JE
		JE

THESE PLANS AND SPECIFICATIONS ARE THE PROPERTY OF POWDER RIVER ENGINEERING SERVICES, LLC. WHETHER THE PROJECTS FOR WHICH THEY ARE MADE ARE CURRENTLY BEING CONSTRUCTED OR NOT, THEY ARE NOT TO BE USED BY ANY PERSON OR ENTITY ON OTHER PROJECTS WITHOUT PRIOR WRITTEN CONSENT OF THE ENGINEER.

SITE INFORMATION

DN04163B
SW SPRINGS
2520 ARLINGTON DR.
COLORADO SPRINGS, CO
80910

SHEET TITLE:
ANTENNA
MOUNT DETAILS

SHEET NUMBER:

S-2

CPC CM1 16-00070

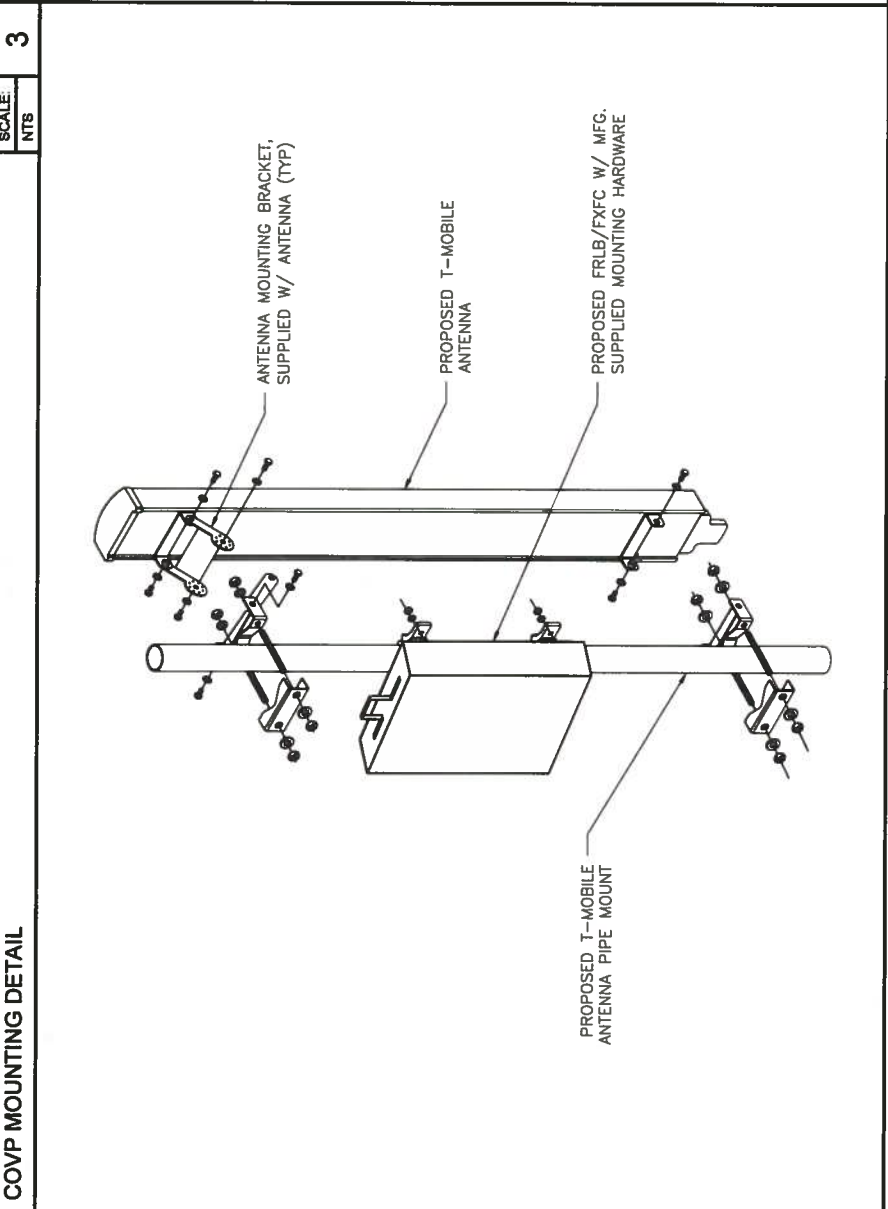
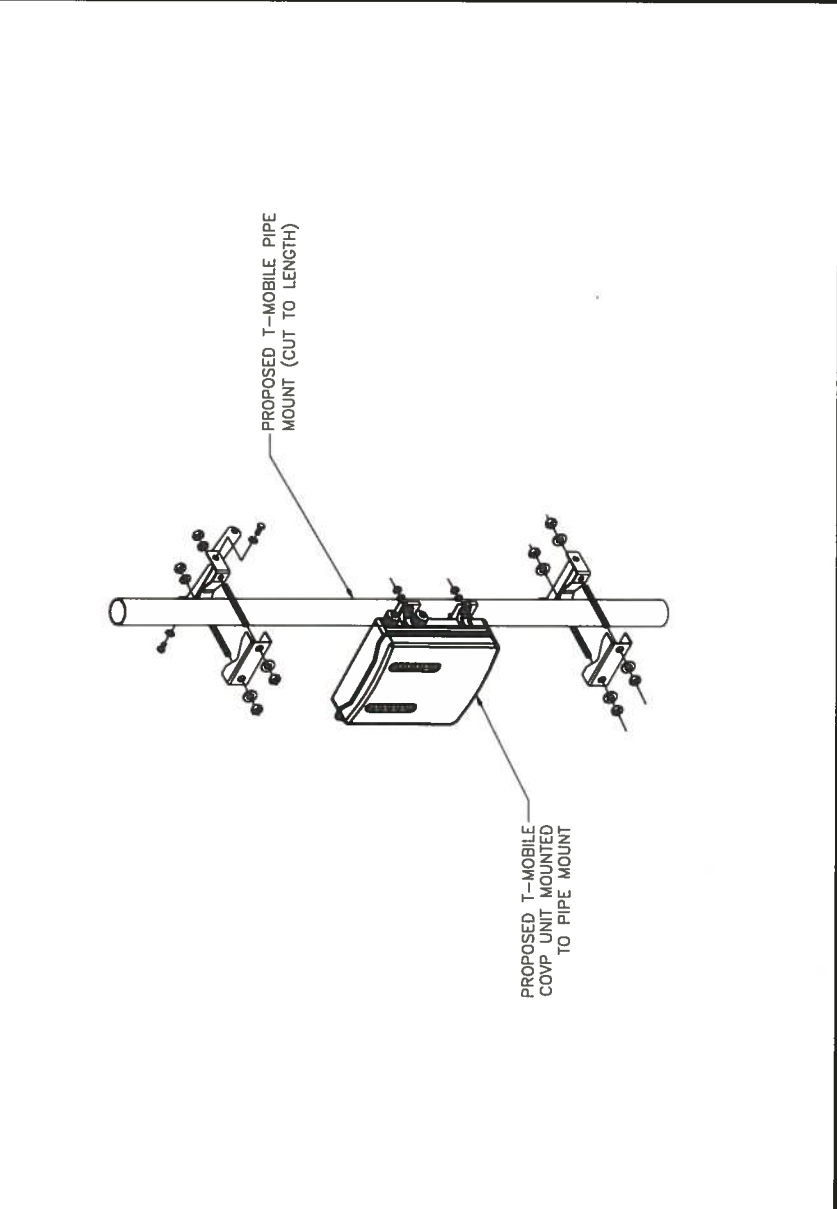
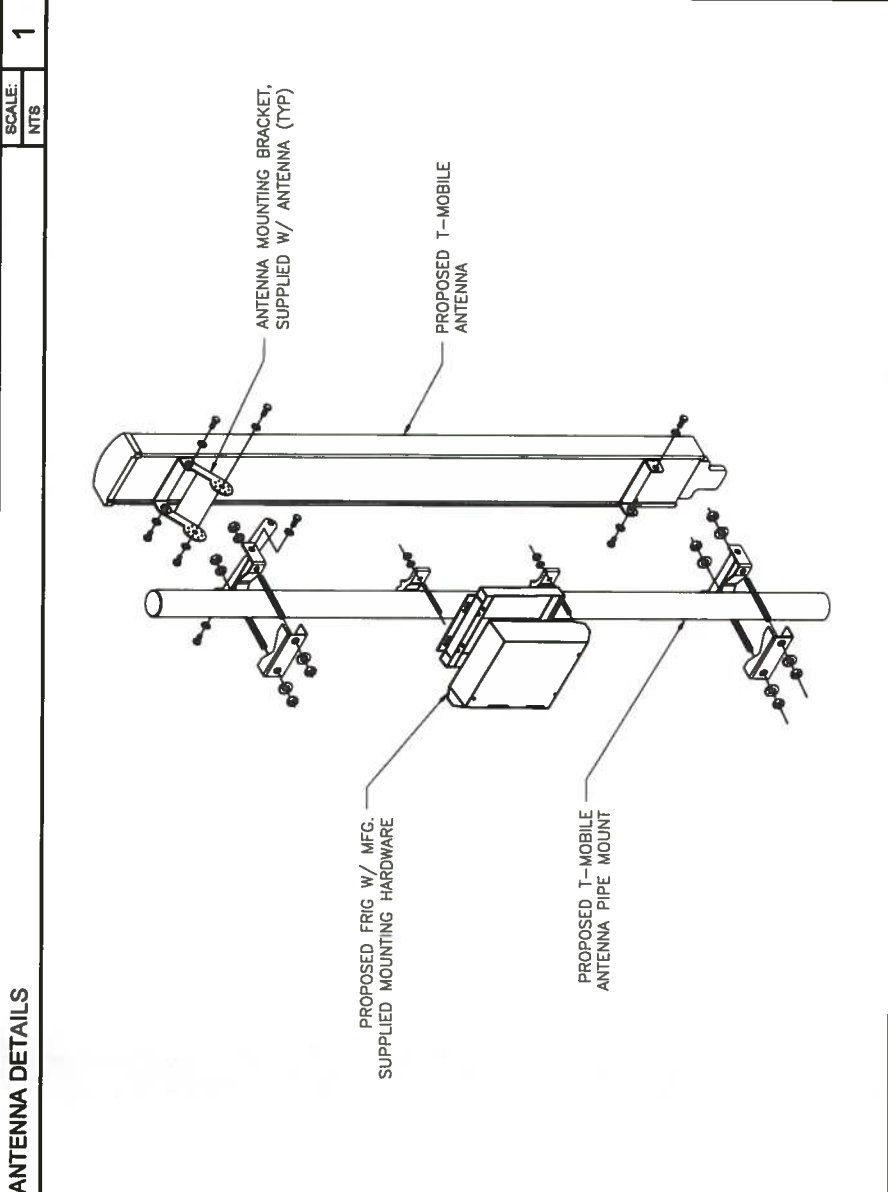
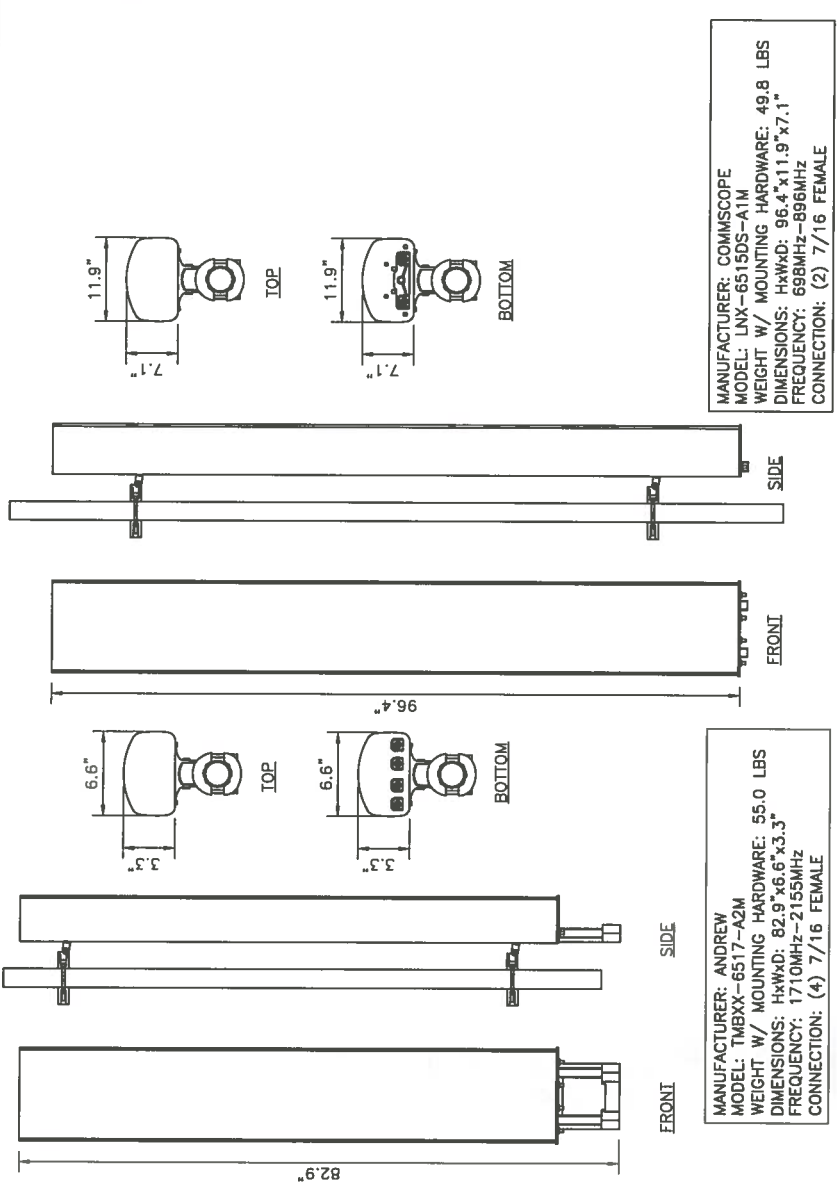
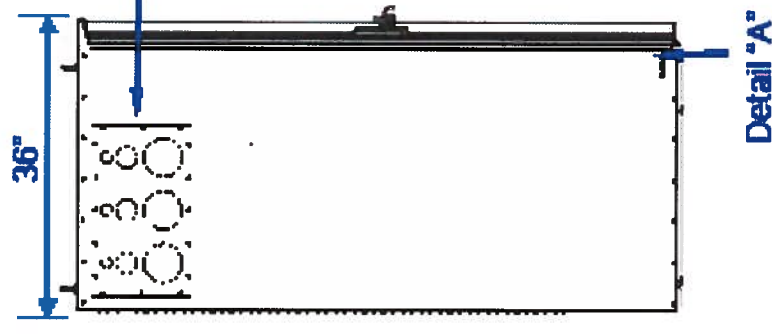


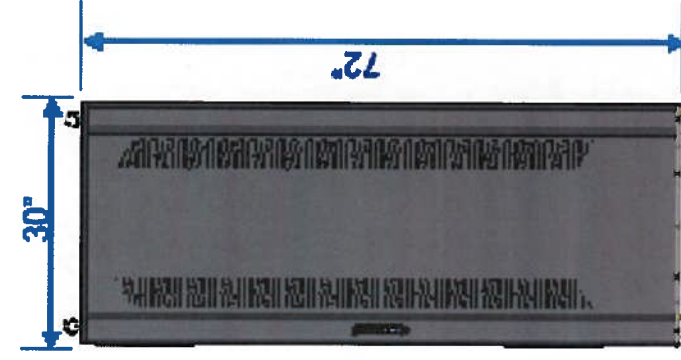
FIGURE 1



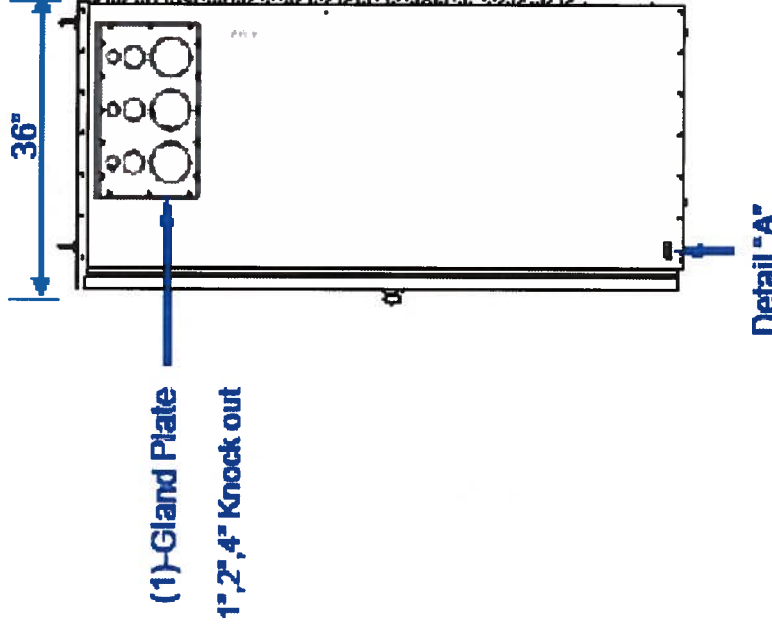
Outline Dimension 30"W x 72"H x 36"D



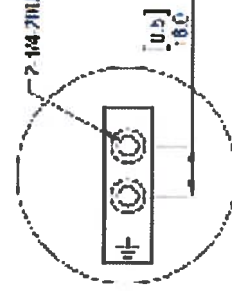
Left Side View



Front View



Right Side View



Detail *A*

Delta Confidential

14



LICENSE #:	N/A
REVISIONS	
REV	DESCRIPTION
B	06/13/16 ISSUED FOR REVIEW 90%
A	05/10/16 ISSUED FOR REVIEW 90%

THESE PLANS AND SPECIFICATIONS ARE THE PROPERTY OF SERVICE ONE AND SHALL REMAIN THE PROPERTY OF SERVICE ONE DEVELOPMENT SERVICES, LLC. NO PART OF THESE PLANS OR SPECIFICATIONS SHALL BE USED BY ANY PERSON OR ENTITY ON OTHER PROJECTS WITHOUT WRITTEN CONSENT OF THE DESIGNER.

SITE INFORMATION

DN04163B
SW SPRINGS
2520 ARLINGTON DR.
COLORADO SPRINGS, CO
80910

SHEET TITLE:

EQUIPMENT DETAILS

SHEET NUMBER:

S-3

CPC CM.1.16-00070

FIGURE 1



T-MOBILE WEST, LLC
2323 DELGANY STREET
DENVER, CO 80216



POWDER RIVER
Engineering Services, LLC
www.powderriverdev.com

LICENSE #: N/A

REVISIONS

REV	DATE	DESCRIPTION	INT

B	06/13/16	ISSUED FOR REVIEW 90%	JE
A	05/10/16	ISSUED FOR REVIEW 90%	JE

THESE PLANS AND SPECIFICATIONS, AS INSTRUMENTS OF SERVICE, ARE PREPARED BY THE ENGINEER AND SHALL BE USED ONLY FOR THE PROJECT AND SERVICES IDENTIFIED HEREIN. ANY OTHER USE OF THESE PLANS OR SPECIFICATIONS SHALL BE AT THE USER'S RISK AND WITHOUT WRITTEN CONSENT OF THE ENGINEER.

SITE INFORMATION

**DN04163B
SW SPRINGS
2520 ARLINGTON DR.
COLORADO SPRINGS, CO
80910**

SHEET TITLE:

EQUIPMENT DETAILS

SHEET NUMBER:

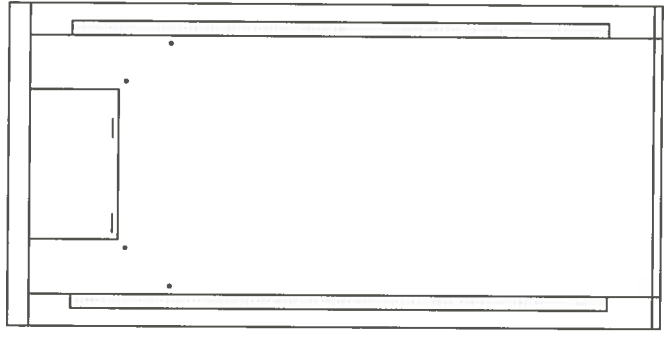
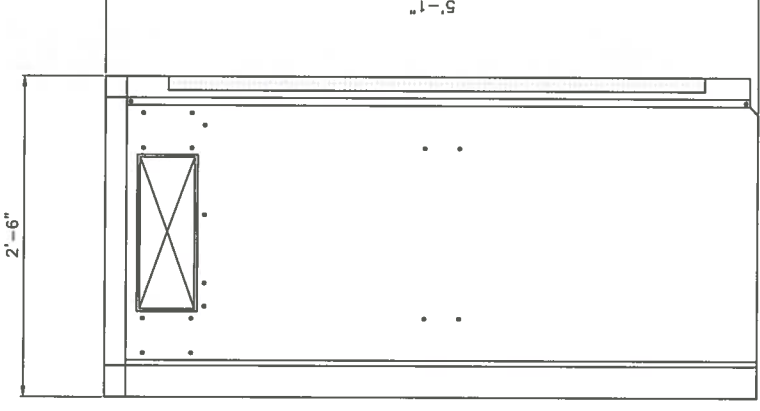
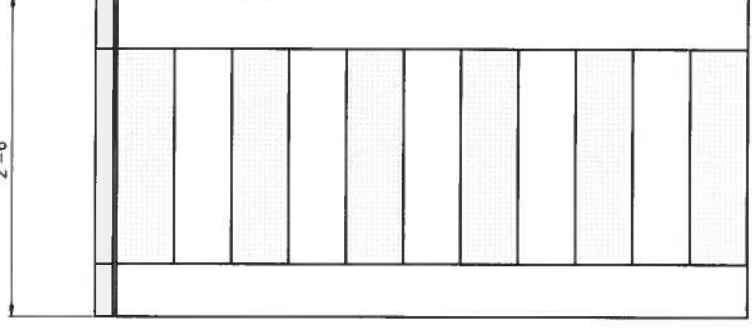
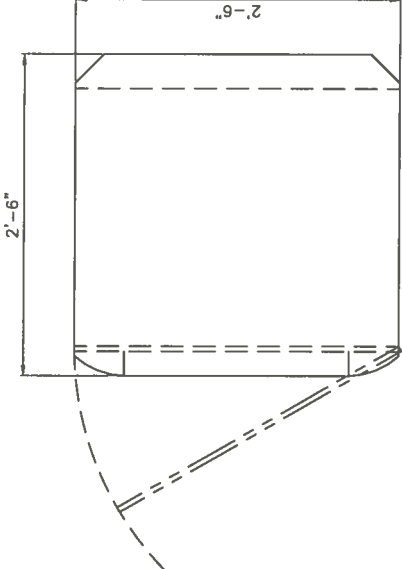
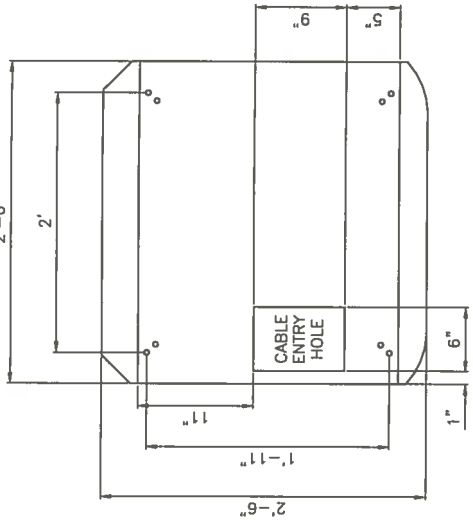
S-4
CPC, CM1, 15-00070

PROPERTY	REQUIRED CLEARANCE
FRONT OF THE CABINET	800 mm (31.5 in.)
BEHIND THE CABINET (ONE CABINET INSTALLED)	0 mm/in.
BEHIND THE CABINET (SEVERAL CABINETS INSTALLED)	100 mm (4.0 in.)
BEHIND THE CABINET (WITH BACK ACCESS)	500 mm (19.7 in.)
BEHIND THE CABINET (WITH AIR FILTER AND CABLES ROUTED VIA BACK)	1000 mm (39.3 in.)
BEHIND THE CABINET (WITH AIR FILTER AND CABLES ROUTED VIA SIDE OR VIA BOTTOM)	450 mm (17.7 in.)
DOOR OPENING DIRECTION	50 mm (2.0 in.)
DOOR OPENING WITH WIND BREAKER ABOVE THE CABINET	80 mm (3.2 in.)
	500 mm (19.7 in.)

THE FLOOR MUST BE LEVEL. REQUIREMENTS FOR THE BASE ARE AS FOLLOWS:

- ABERRATION FOR PLANE = (0.04 in.)
- MAXIMUM INCLINATION = 2 mm/METER

WHEN INSTALLING 3RD PARTY 19" RACK EQUIPMENT IN THE FCOA, THE DISTANCE FROM THE RACK FIXING SPACE TO THE INNER SURFACE OF THE DOOR MUST BE 135 mm (5.3 in.) FOR THE DIMENSIONS OF THE FCOA CABINET, SEE FCOA DIMENSIONS AND WEIGHT.



T-MOBILE FCOA DETAILS

N.T.S.

1

FIGURE 1

T-Mobile
 T-MOBILE WEST, LLC
 2323 DELGANY STREET
 DENVER, CO 80216

POWDER RIVER
 Engineering Services, LLC
 www.powderriverdev.com

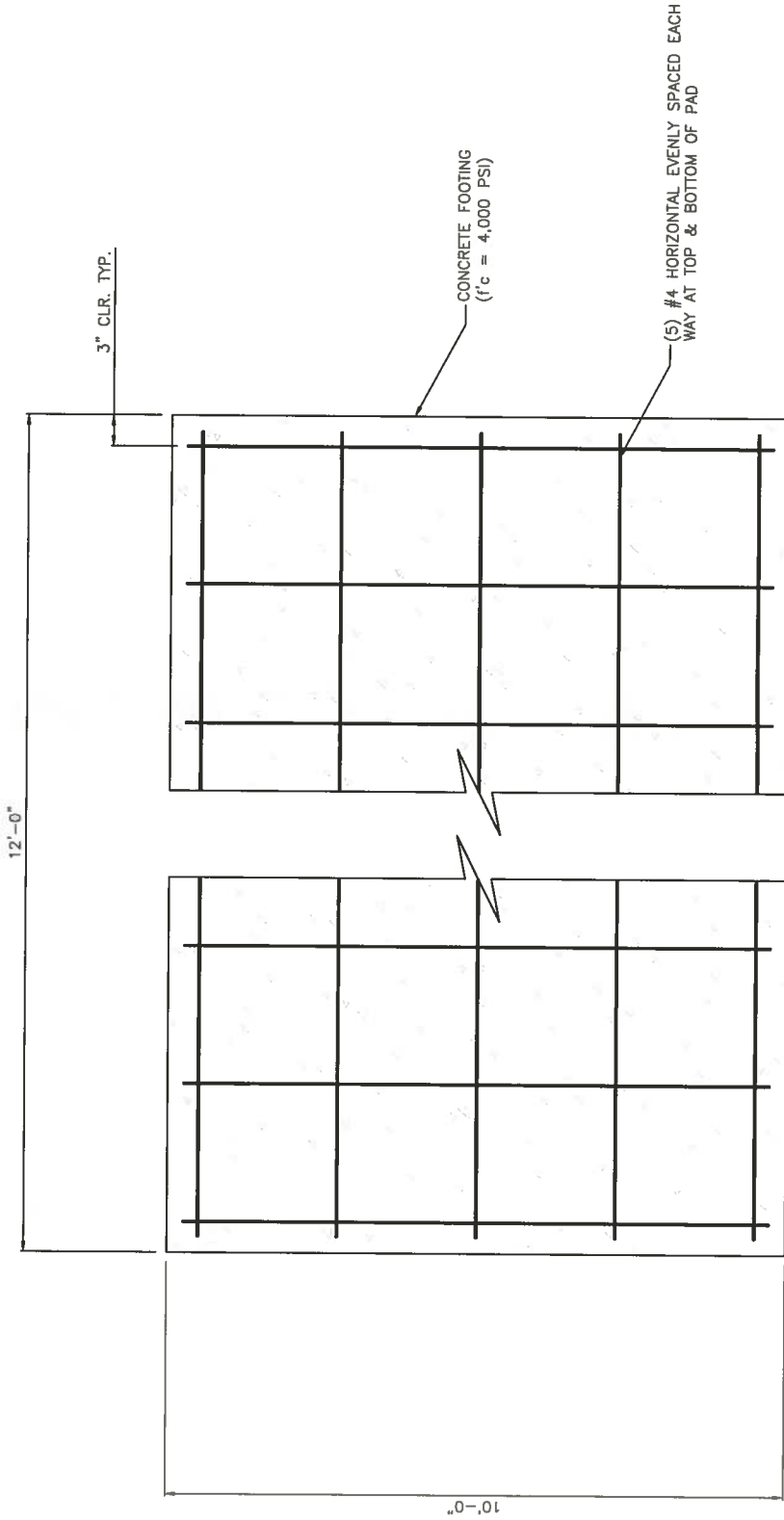
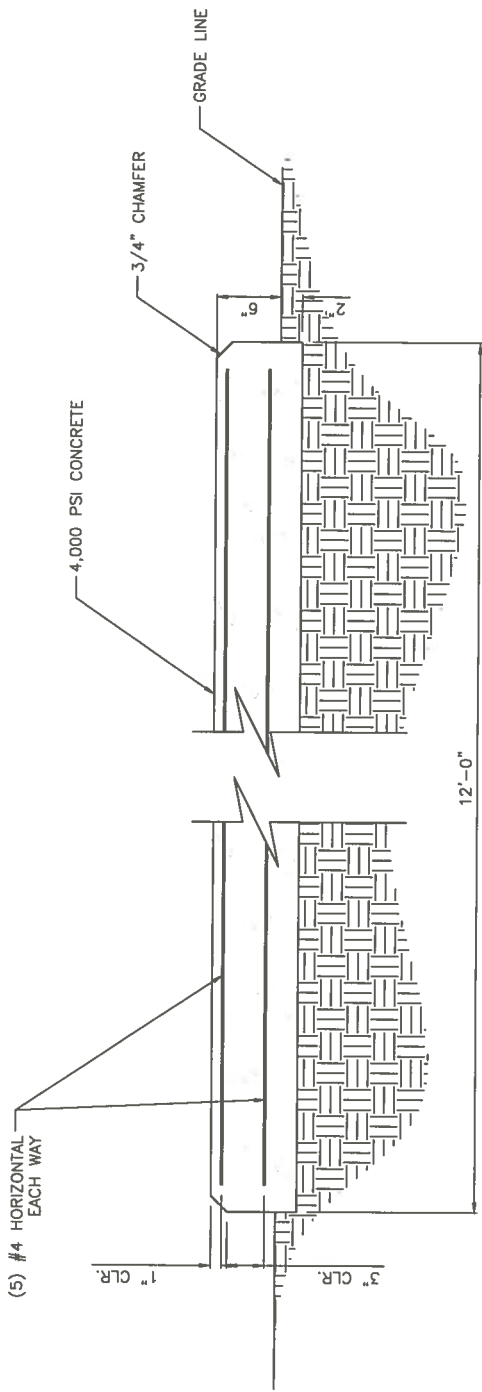
LICENSE #: N/A

REVISIONS		
REV	DATE	DESCRIPTION
B	06/13/16	ISSUED FOR REVIEW 90%
A	05/10/16	ISSUED FOR REVIEW 90%

THESE PLANS AND SPECIFICATIONS, AS INSTRUMENTS OF SERVICE, ARE PREPARED BY THE ENGINEER AND THE CLIENT HAS REVIEWED AND ACCEPTED THEM. THE CLIENT HAS WAIVED THE RIGHT OF REVISION. THE ENGINEER SHALL NOT BE RESPONSIBLE FOR ANY ERRORS OR OMISSIONS. THESE DRAWINGS AND SPECIFICATIONS SHALL BE EXERCISED OR NOT, THESE DRAWINGS AND SPECIFICATIONS SHALL NOT BE USED FOR ANY OTHER PROJECT WITHOUT THE WRITTEN CONSENT OF THE ENGINEER.

SITE INFORMATION
DN04163B
SW SPRINGS
2520 ARLINGTON DR.
COLORADO SPRINGS, CO
80910

SHEET TITLE:
STRUCTURAL
DETAILS
 SHEET NUMBER:
S-5
 CPC CM1 16-00070



CONCRETE PAD DETAILS

N.T.S.

1

FIGURE 1



T-MOBILE WEST, LLC
2323 DELCANY STREET
DENVER, CO 80216



POWDER RIVER
Engineering Services, LLC
www.powderriverdev.com

LICENSE #:	N/A		
REV	DATE	DESCRIPTION	INT
REVISIONS			
B	06/13/16	ISSUED FOR REVIEW 80%	JE
A	05/10/16	ISSUED FOR REVIEW 80%	JE

THESE PLANS AND SPECIFICATIONS ARE PREPARED BY ME OR UNDER MY CLOSE PERSONAL SUPERVISION AND SHALL REMAIN THE PROPERTY OF POWDER RIVER DEVELOPMENT SERVICES, LLC. WHETHER THE PROJECTS FOR WHICH THEY ARE MADE ARE TO BE CONSTRUCTED OR NOT. THEY ARE NOT TO BE USED BY ANY PERSON OR ENTITY ON OTHER PROJECTS WITHOUT PRIOR WRITTEN CONSENT OF THE ENGINEER.

SITE INFORMATION
DN04163B
SW SPRINGS
2520 ARLINGTON DR.
COLORADO SPRINGS, CO
80910

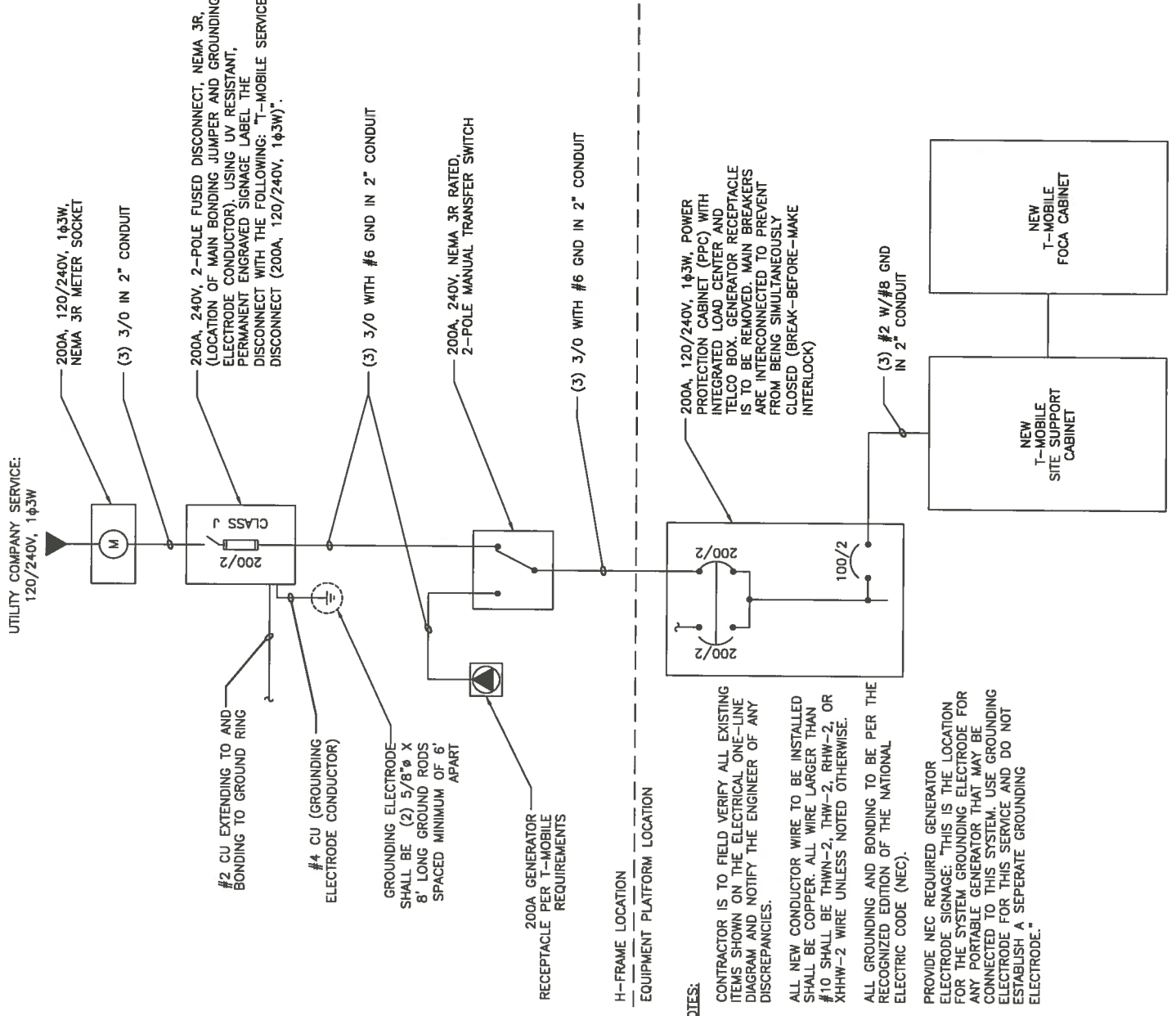
SHEET TITLE:
ELECTRICAL DETAILS
SHEET NUMBER:
E-1
CPC CM1 16-00070

DESCRIPTION	WIRE SIZE			CIR	CIR NO	CIR	LOAD (VA)			CIR	CIR NO	CIR	WIRE SIZE			DESCRIPTION
	HOT	NEU	GND				A-PHASE	B-PHASE	C-PHASE				HOT	NEU	GND	
SURGE PROTECTION DEVICE	-	-	-	1	1	1	100	100	100	2	2	2	#12	#12	#12	GFC RECEPTACLE
TECH LIGHT/GFC RECEPTACLE	#8	-	-	2	2	2	150	150	150	4	4	4	#12	#12	#12	TELECOM RECEPTACLE
TELECOM FAN	#8	-	-	1	1	1	1500	1500	1500	6	6	6	#8	-	-	CABINET HEATER
RECTIFIER SHELF #1	#1	-	-	10	10	10	4500	4500	4500	10	10	10	#10	-	-	CABINET AC
RECTIFIER SHELF #2	#1	-	-	2	2	2	1170	1170	1170	12	12	12	#12	#12	#12	CABINET RECEPTACLE
RECEPTACLE	#12	#12	#12	15	15	15	100	100	100	14	14	14	#12	#12	#12	BLANK
BLANK	#12	#12	#12	1	1	1	1206	1206	1206	16	16	16	#12	#12	#12	BLANK
BLANK	#12	#12	#12	1	1	1	243	243	243	18	18	18	#12	#12	#12	BLANK
BLANK	#12	#12	#12	1	1	1	1478	1478	1478	20	20	20	#12	#12	#12	BLANK
BLANK	#12	#12	#12	1	1	1	121	121	121	22	22	22	#12	#12	#12	BLANK
BLANK	#12	#12	#12	1	1	1	171	171	171	24	24	24	#12	#12	#12	BLANK

A/C PANEL SCHEDULE

BASE LOAD (VA) =	1206
2% OF CONTINUOUS LOAD (VA) =	243
TOTAL LOAD (VA) =	1478
TOTAL LOAD (VA) =	171

* DESIGNATION IDENTIFIES CONTINUOUS LOADS AND MOTOR LOADS AS REQUIRED BY SECTIONS 220.47 AND 430.24 OF THE NEC



- NOTES:**
- CONTRACTOR IS TO FIELD VERIFY ALL EXISTING ITEMS SHOWN ON THE ELECTRICAL ONE-LINE DIAGRAM AND NOTIFY THE ENGINEER OF ANY DISCREPANCIES.
 - ALL NEW CONDUCTOR WIRE TO BE INSTALLED SHALL BE COPPER. ALL WIRE LARGER THAN #10 SHALL BE THWN-2, THW-2, RHW-2, OR XHHW-2 WIRE UNLESS NOTED OTHERWISE.
 - ALL GROUNDING AND BONDING TO BE PER THE RECOGNIZED EDITION OF THE NATIONAL ELECTRIC CODE (NEC).
 - PROVIDE NEC REQUIRED GENERATOR ELECTRODE SIGNAGE. THIS IS THE LOCATION FOR THE SYSTEM GROUNDING ELECTRODE FOR ANY PORTABLE GENERATOR THAT MAY BE CONNECTED TO THIS SYSTEM. USE GROUNDING ELECTRODE FOR THIS SERVICE AND DO NOT ESTABLISH A SEPARATE GROUNDING ELECTRODE.

ELECTRICAL ONE-LINE DIAGRAM

N.T.S. **3**

N.T.S. **2**

FIGURE 1



T-MOBILE WEST, LLC
2323 DELGANY STREET
DENVER, CO 80216



POWDER RIVER
Engineering Services, LLC
www.powderriverdev.com

LICENSE #:	N/A		
REV	DATE	DESCRIPTION	INT
B	05/13/16	ISSUED FOR REVIEW 90%	IE
A	05/10/16	ISSUED FOR REVIEW 90%	IE

THESE PLANS AND SPECIFICATIONS ARE THE PROPERTY OF POWDER RIVER ENGINEERING SERVICES, LLC. WHETHER THE PROJECTS FOR WHICH THEY ARE MADE ARE TO BE USED BY ANY PERSON OR ENTITY OR OTHER PRODUCTS WITHOUT PRIOR WRITTEN CONSENT OF THE ENGINEER.

SITE INFORMATION

DN04163B
SW SPRINGS
2520 ARLINGTON DR.
COLORADO SPRINGS, CO
80910

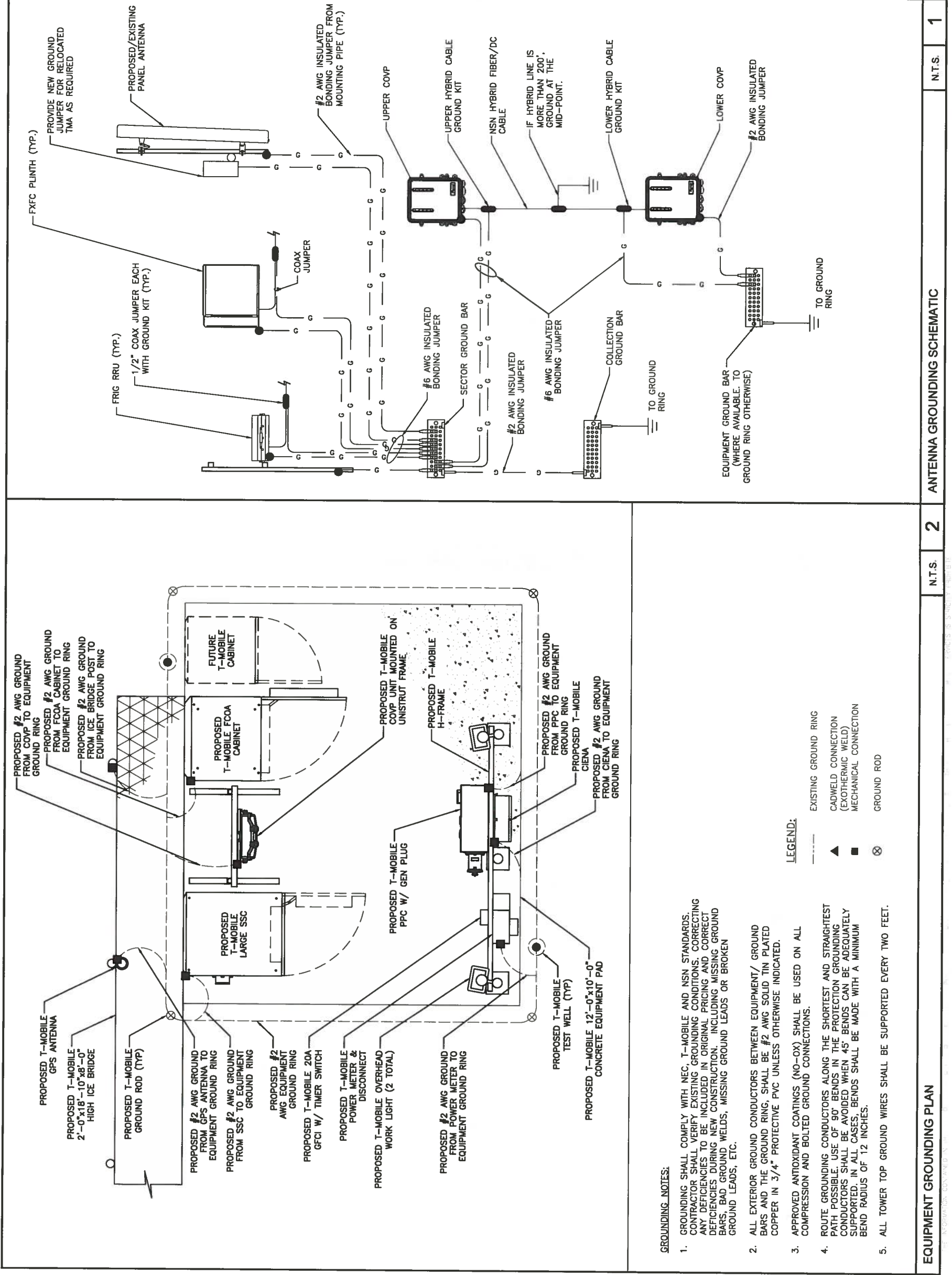
SHEET TITLE:

GROUNDING PLANS

SHEET NUMBER:

G-1

CPC CM1 16-00070



N.T.S.

2

N.T.S.

1

FIGURE 1



T-MOBILE WEST, LLC
2323 DELGANY STREET
DENVER, CO 80216



POWDER RIVER
Engineering Services, LLC
www.powderriverdev.com

LICENSE #:	N/A
REVISONS	
REV/	DATE DESCRIPTION INT
B	06/13/16 ISSUED FOR REVIEW 90% JE
A	05/10/16 ISSUED FOR REVIEW 90% JE

THESE PLANS AND SPECIFICATIONS ARE THE PROPERTY OF POWDER RIVER ENGINEERING SERVICES, LLC. ANY REUSE OR MODIFICATION OF THESE PLANS WITHOUT THE WRITTEN CONSENT OF POWDER RIVER ENGINEERING SERVICES, LLC IS STRICTLY PROHIBITED. THESE PLANS ARE TO BE USED BY ANY PERSON OR ENTITY ON OTHER PROJECTS WITHOUT THE WRITTEN CONSENT OF THE ENGINEER.

SITE INFORMATION

DN04163B
SW SPRINGS

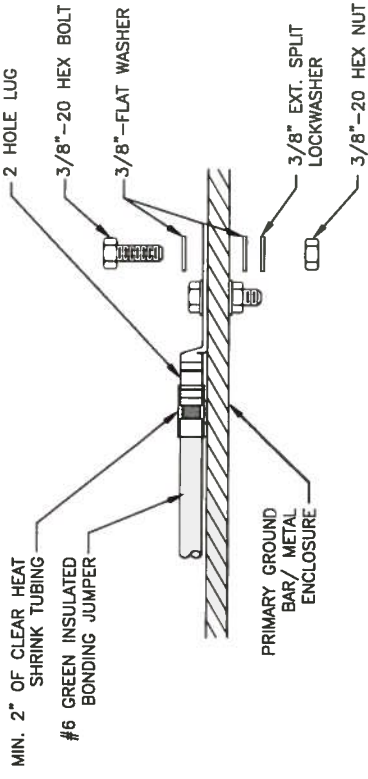
2520 ARLINGTON DR.
COLORADO SPRINGS, CO
80910

SHEET TITLE:
**GROUNDING
DETAILS**

SHEET NUMBER:

G-2

CPC CM1.16-00070

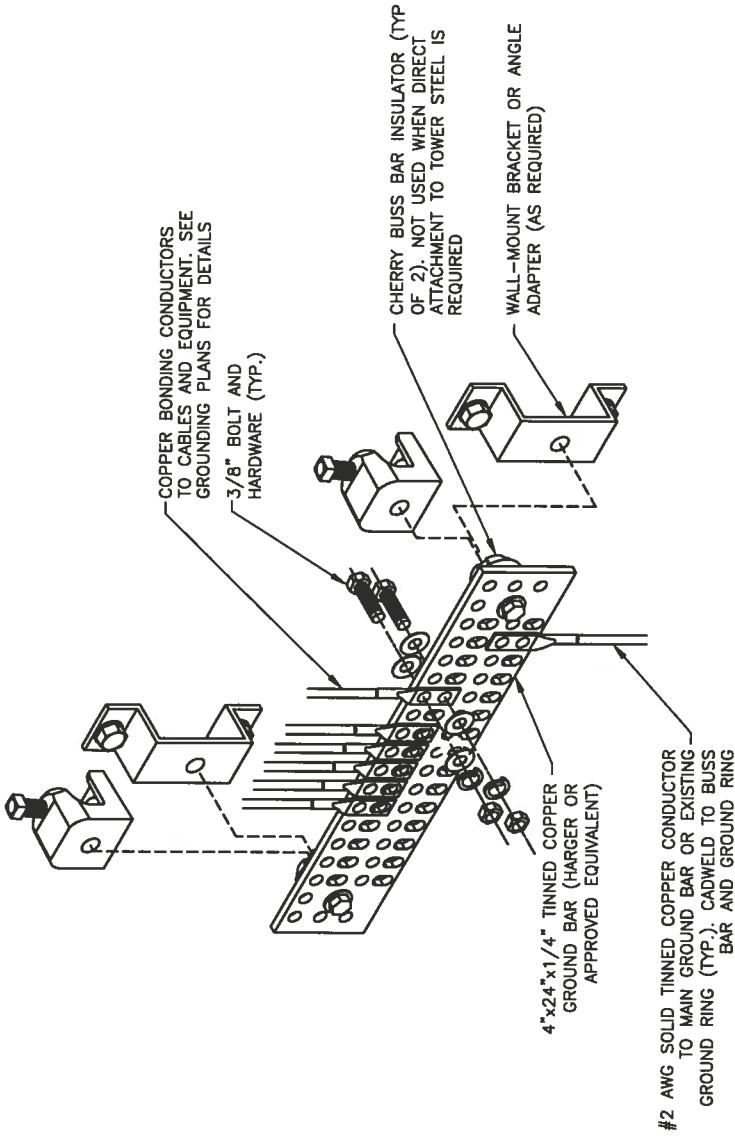


INSTALLATION NOTES:

1. SELECT BOLT LENGTH TO PROVIDE A MINIMUM OF TWO EXPOSED THREADS.
2. BURNISH MOUNTING SURFACE TO REMOVE PAINT IN THE AREA OF LUG CONTACT.
3. APPLY ANTI-OXIDANT COMPOUND TO MATING SURFACE OF LUG AND WIPE CLEAN EXCESS COMPOUND.
4. USE SOLID COPPER WIRE AND MECHANICAL 2-HOLE LUG FOR ALL EXTERIOR GROUNDING.

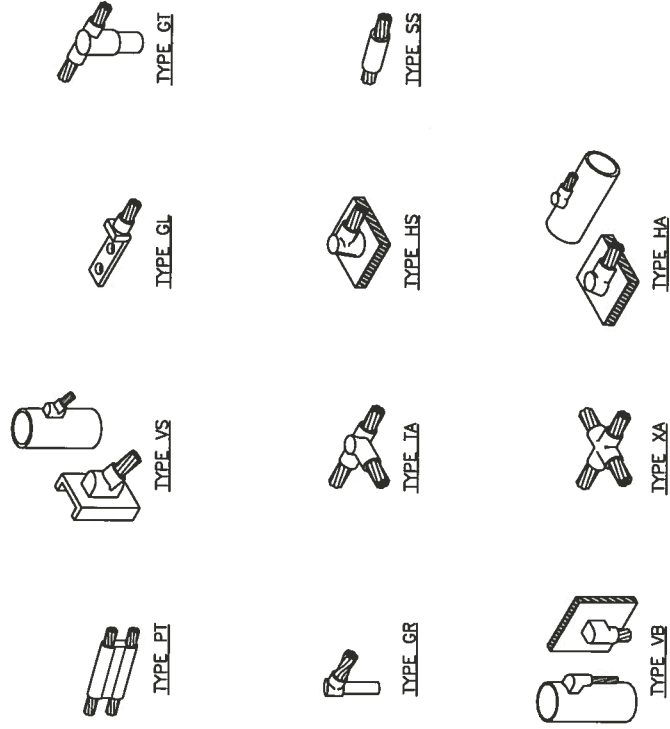
MECHANICAL GROUND CONNECTION DETAIL

N.T.S. **1**



GROUND BAR DETAIL

N.T.S. **3**



COORDINATE WITH CONSTRUCTION MANAGER FOR PROJECT SPECIFIC MOLD TYPES

TYPICAL CADWELD CONNECTIONS

N.T.S. **4**

NOT USED

N.T.S. **2**

FIGURE 1



T-MOBILE WEST, LLC
2323 DELGANY STREET
DENVER, CO 80216



POWDER RIVER
Engineering Services, LLC
www.powderriverdev.com

LICENSE #: N/A

REV	DATE	DESCRIPTION	INT

B | 06/13/16 | ISSUED FOR REVIEW 90% | JIE
A | 05/10/16 | ISSUED FOR REVIEW 90% | JIE

THIS DRAWING AND SPECIFICATIONS ARE THE PROPERTY OF POWDER RIVER ENGINEERING SERVICES, LLC. ANY REPRODUCTION OR USE OF THIS DRAWING OR SPECIFICATIONS WITHOUT THE WRITTEN CONSENT OF POWDER RIVER ENGINEERING SERVICES, LLC IS PROHIBITED. THIS DRAWING IS THE PROPERTY OF POWDER RIVER ENGINEERING SERVICES, LLC. ANY REPRODUCTION OR USE OF THIS DRAWING OR SPECIFICATIONS WITHOUT THE WRITTEN CONSENT OF POWDER RIVER ENGINEERING SERVICES, LLC IS PROHIBITED.

SITE INFORMATION

DN04163B
SW SPRINGS
2520 ARLINGTON DR.
COLORADO SPRINGS, CO
80910

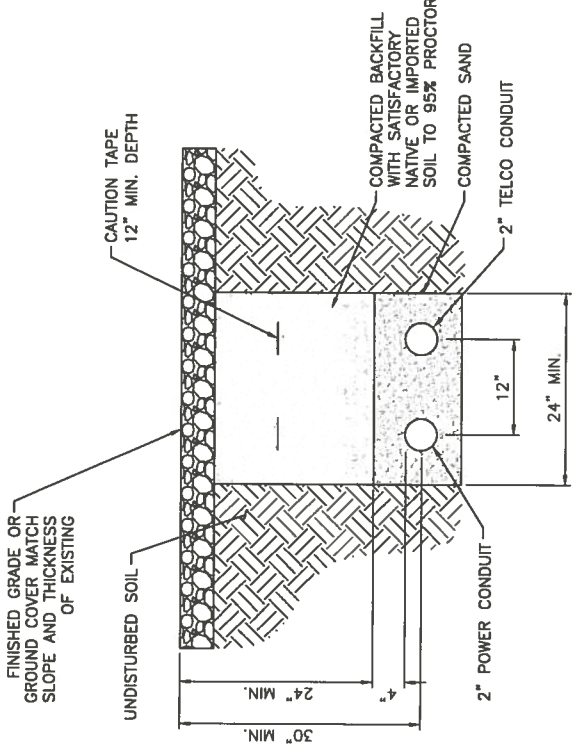
SHEET TITLE:
**GROUNDING
DETAILS**

SHEET NUMBER:

G-3
CFC, CM1, 16--00070

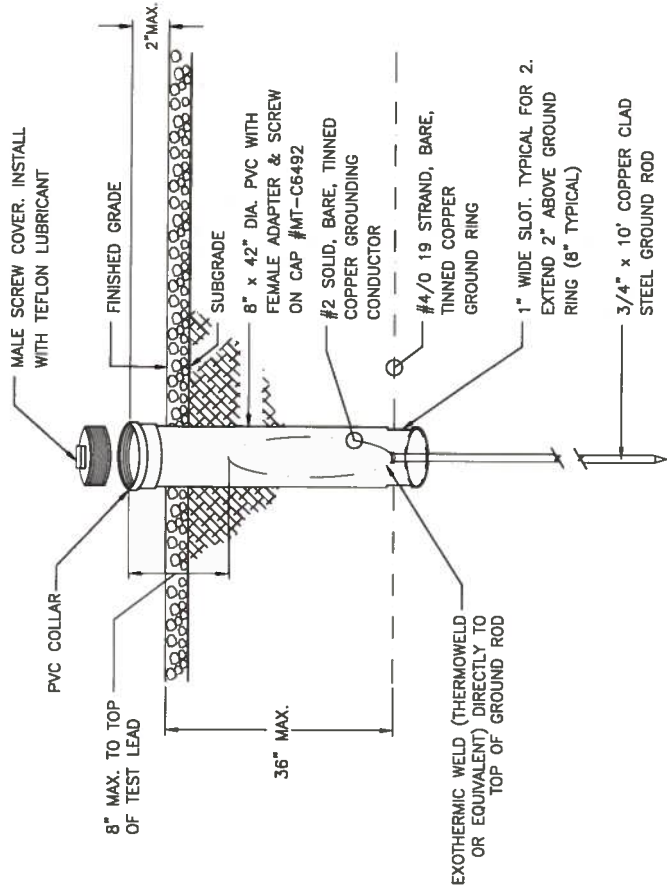
NOTES:

- LEAN CONCRETE, RED-COLORED TOP, MAY BE USED IN PLACE OF COMPACTED SAND.
- IF POWER AND TELCO ARE PLACED IN THE SAME TRENCH, PER NEC CODE, A MINIMUM OF 12" SEPARATION IS REQUIRED BETWEEN THE POWER AND FIBER CONDUIT.



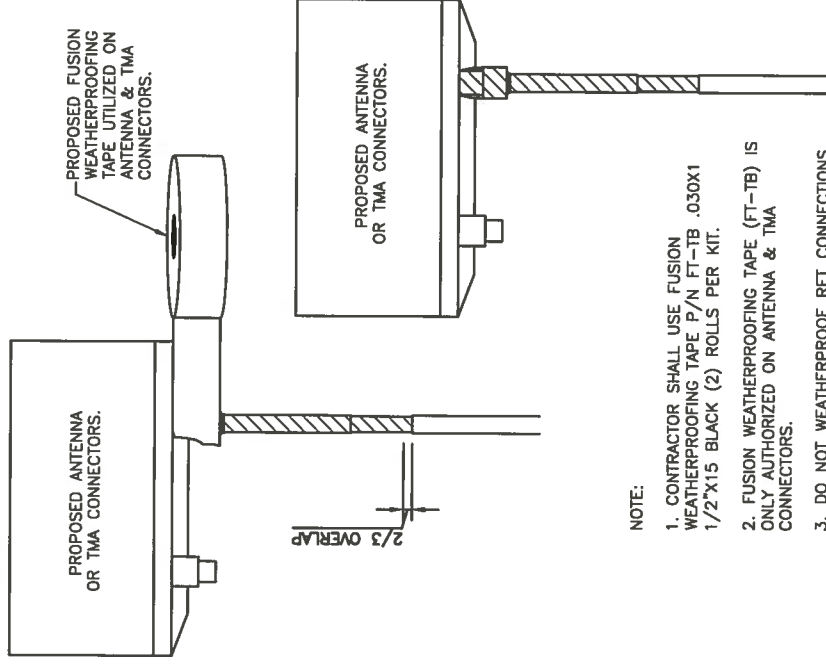
ELECTRICAL/TELCO TRENCH DETAIL

N.T.S. 1



TEST WELL DETAIL

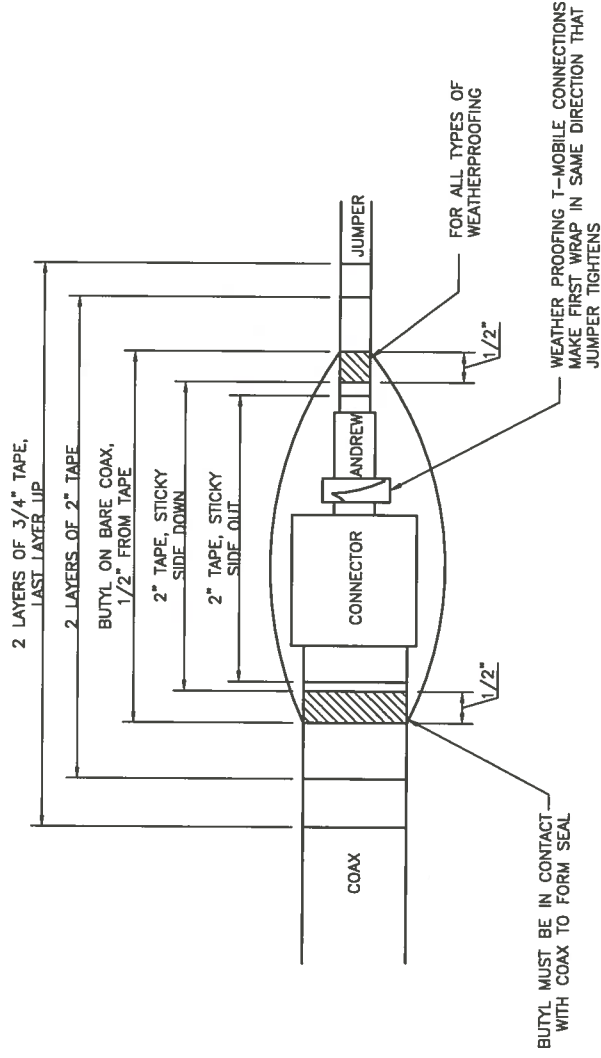
N.T.S. 3



- NOTE:
- CONTRACTOR SHALL USE FUSION WEATHERPROOFING TAPE P/N FT-TB .030X1 1/2"x15" BLACK (2) ROLLS PER KIT.
 - FUSION WEATHERPROOFING TAPE (FT-TB) IS ONLY AUTHORIZED ON ANTENNA & TMA CONNECTORS.
 - DO NOT WEATHERPROOF RET CONNECTIONS.

WEATHERPROOFING DETAIL AND ANTENNA

N.T.S. 2



WEATHERPROOFING DETAIL

N.T.S. 4

FIGURE 1



T-MOBILE WEST, LLC
2325 DELGANY STREET
DENVER, CO 80216



POWDER RIVER
Engineering Services, LLC
www.powderriverdev.com

LICENSE #:		N/A
REVISIONS		
REV	DATE	DESCRIPTION
B	06/13/16	ISSUED FOR REVIEW 90%
A	05/10/16	ISSUED FOR REVIEW 90%
		JE
		JE

THESE PLANS AND SPECIFICATIONS, AS INSTRUMENTS OF SERVICE, ARE PREPARED BY THE ENGINEER AND CONTRACTOR. THE CONTRACTOR SHALL BE RESPONSIBLE FOR VERIFYING THE ACCURACY OF ALL DIMENSIONS, CONDITIONS AND MATERIALS. THE CONTRACTOR SHALL NOT BE USED BY ANY PERSON OR ENTITY OTHER THAN THE CONTRACTOR WITHOUT THE WRITTEN CONSENT OF THE ENGINEER.

SITE INFORMATION

DN04163B
SW SPRINGS

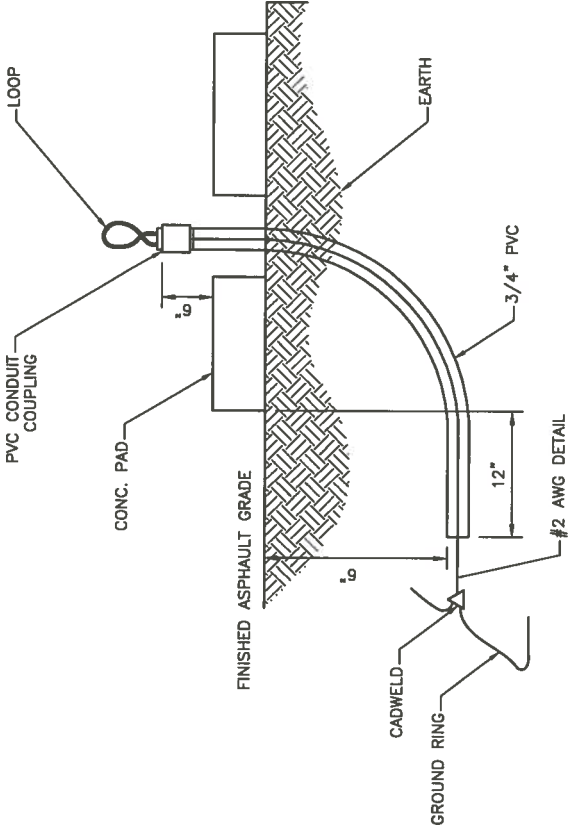
2520 ARLINGTON DR.
COLORADO SPRINGS, CO
80910

SHEET TITLE:
GROUNDING
DETAILS

SHEET NUMBER:

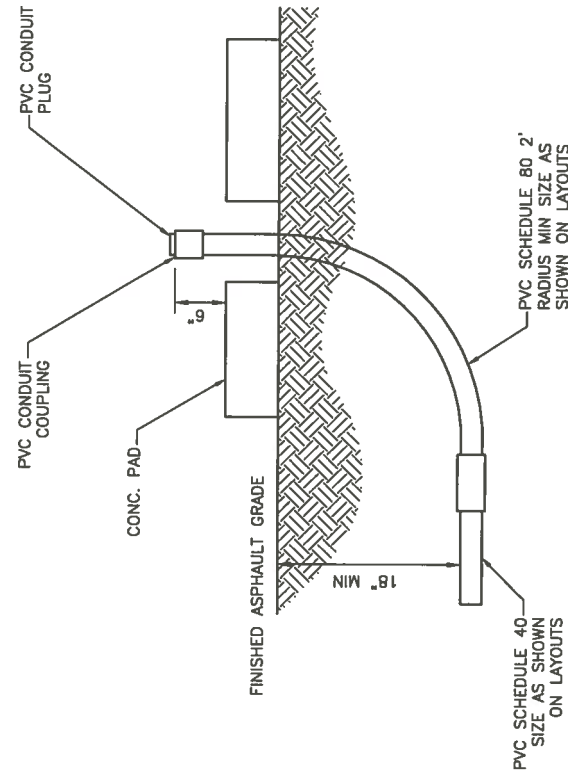
G-4

CPC CM1 16-00070



LOOP DETAIL

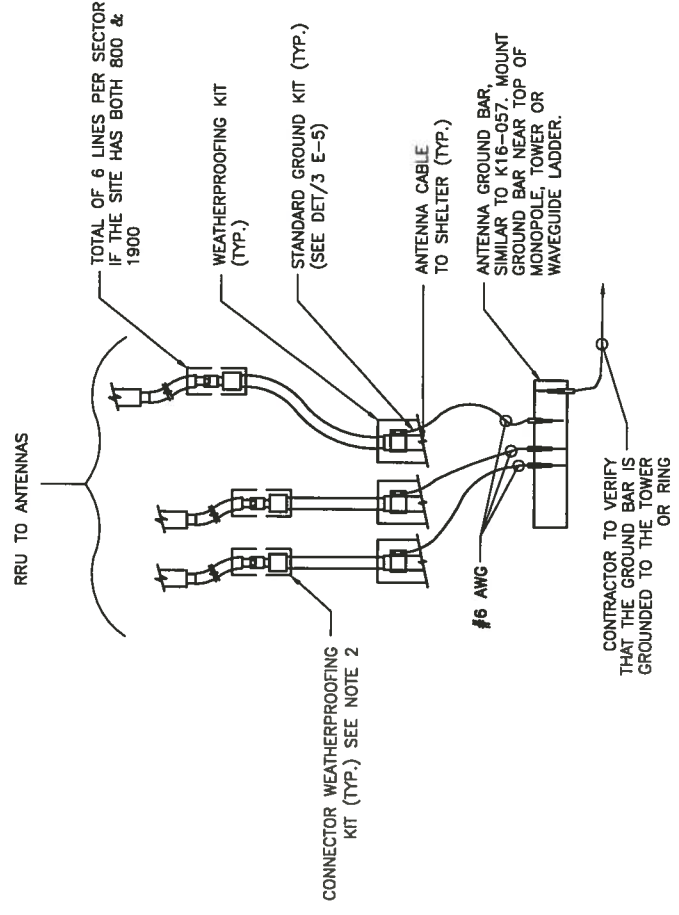
N.T.S. 1



CONDUIT STUB-UP THROUGH PAD

N.T.S. 3

- NOTES:
- DO NOT INSTALL CABLE GROUND KIT AT A BEND AND ALWAYS DIRECT GROUND WIRE DOWN TO ANTENNA GROUND BAR.
 - WEATHER PROOFING SHALL BE ANDREWS. (TYPE & PART NUMBER AS SUPPLIED OR RECOMMENDED BY CABLE MANUFACTURER.)



TYPICAL COAXIAL GROUNDING

N.T.S. 2

NOT USED

FIGURE 1